



OCEANO 1.1

OCEANO 1.1 1W ST-ST 15° 4000K 24V
0,4M

Cod: **CEA01FCS001A00**



IdroSkud® protection system
- polarity reversal protection
- voltage spikes protection
- water infiltration protection



Protection class III
Designed to be supplied from a separated extra-low voltage (SELV) power supply



IP 66
Protected against powerful power jets, 100 liters per minute



IP 68
Protected against continuous immersion up to 3 meters



IK 09
Protected against impact of 10 J



High temperatures
Design to withstand temperatures up to +50° C



Walk-over
Fixture design to withstand a static load up to 5 kN



CX - Extreme
corrosion resistance level ISO 9223



Mizar warranty
5 years warranty



Technical description

Inground luminaire, walk-over, suitable for outdoor environments (IP66/IP68), with operating temperature range: -20°C / +50°C. To provide maximum versatility of application, the body can be made of aluminum or steel; the frame, aluminum, steel or brass. The light source consists of a single 1W power Led chip powered at 24V constant voltage with integrated driver. The luminous flux makes it ideal for tracing pedestrian paths or achieving a starry ceiling effect, thanks to the different emission angles. The source is set back for greater visual comfort. Color rendering index CRI > 90. Oceano is equipped with IdroSkud® system to protect electronic components from voltage spikes, polarity reversal and water infiltration. Installation accessories (draining and waterproof outercase and plasterboard spring) are provided. The product must be combined with a power supply to ensure its operation. The power supply must be ordered separately. The amount of luminaires that can be connected to a single power supply varies depending on the type of installation. It is up to the installer to verify the possible voltage drop by evaluating the distance between the product and the power supply.

Lighting data

| | | | |
|-----------------------------|-----------------------|----------------------|--|
| Source type | single chip power LED | Photobiological risk | RG0 |
| CCT | 4000K | ULR | 100.00% |
| CRI | > 90 | BUG Rating | B0 U3 G0 |
| MacAdam (SDCM) | 2 | CIE Flux Code | 0 0 0 0 100 |
| Source lumen output (lm) | 126 | LED lifetime | L80 B10 50.000h |
| Luminaire lumen output (lm) | 70 | Efficiency class | This product contains a light source of energy efficiency class (EU2019/2015): E |
| Light emission | Narrow | | |
| Beam angle | 15° | | |

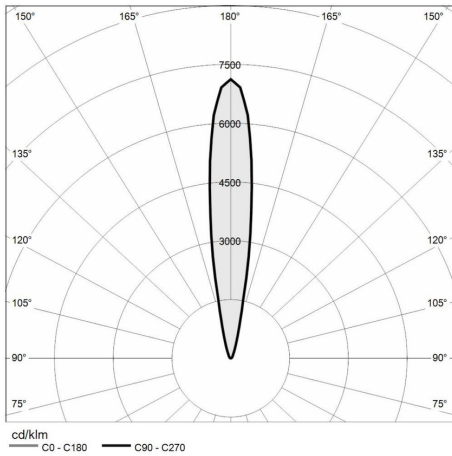
Mechanical data

| | | | |
|--------------------------|---------------------------|-----------------------------|------------------------|
| Width (mm) | 29 | Diffuser thickness (mm) | 4 |
| Length (mm) | 29 | Class ISO 9223 | CX |
| Height (mm) | 44 | Optic type | Technopolymer TIR Lens |
| Weight (g) | 99 | Optical optional | None |
| IP Rating | IP66 / IP68 | Maximal working temperature | +50° C |
| IK rating | IK09 | Minimal working temperature | -20° C |
| Shape | Square | Maximal static load (kN) | 5 |
| Finishing colour | Steel / Steel | Walk-over | Yes |
| Frame material | Stainless steel 316L | Driver-over | No |
| Body material | Stainless steel 316L | Maximal surface temperature | +50° C |
| External screws material | Stainless steel 316L (A4) | Areas EN 60598-2-13 | A1 / A2 |
| Diffuser material | Extraclear tempered glass | | |

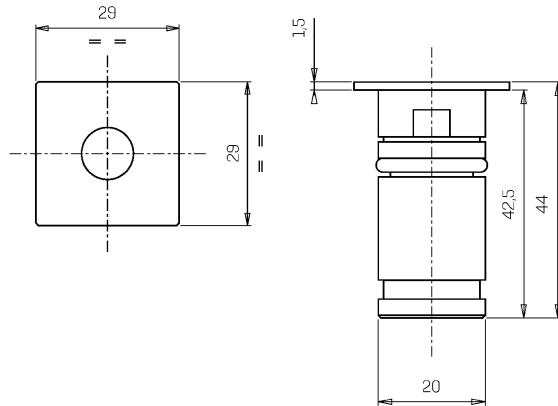
Electrical data

| | | | |
|---------------------------------|--------------------------------------|-----------------------------|---------------------|
| Nominal power (W) | 1 | Electrical connection | Parallel connection |
| Power supply (input power type) | Costant voltage - 24V | Idroskud® protection | Yes |
| Ballast | Remote | Inverse polarity protection | Yes |
| Insulation class | III | Voltage spikes protection | Yes |
| Dimmable | Yes | | |
| Power cable type | FR5FOEM7 - AD8 2x0,5 mm ² | | |
| Power cable length | 0,4 m | | |

Photometry



Technical drawing



Accessories



DRAINING OUTERCASE

Outercase draining OCEANO 1

Cod: CEAZZZ000



SLIM DRAINING OUTERCASE

Outercase draining slim OCEANO 1

Cod: CEAZZZ001



SLIM WATER-PROOF OUTERCASE

Outercase waterproof slim OCEANO 1

Cod: CEAZZZ002



SPRING FOR CEILING MOUNTING

Spring for ceiling mounting OCEANO 1

Cod: CEAZZZ014



NOT DIMMABLE POWER SUPPLY

Power supply DC 24V 14,4W IP67 ON/OFF

Cod: MID0019



NOT DIMMABLE POWER SUPPLY

Power supply DC 24V 36W IP67 ON/OFF

Cod: MID0020



DIMMABLE POWER SUPPLY

Power supply 220/240 50/60Hz 24W IP67 DALI

Cod: MID0021