



# OCEANO 3.1

OCEANO 3.1 3W AL-AL 10° 2700K 24V HC  
0,4M

Cod: **CEA05CCS100A00**



#### IdroSkud® protection system

- polarity reversal protection
- voltage spikes protection
- water infiltration protection



#### Protection class III

Designed to be supplied from a separated extra-low voltage (SELV) power supply



#### IP 66

Protected against powerful power jets, 100 liters per minute



#### IP 68 up to 10m

Protected against continuous immersion up to 10 meters



#### IK 10

Protected against impact of 20 J



#### High temperatures

Design to withstand temperatures up to +50° C



#### Walk-over

Fixture design to withstand a static load up to 5 kN



#### C5 - Very high

corrosion resistance level ISO 9223



#### Mizar warranty

5 years warranty

## Technical description

Inground luminaire, walk-over, suitable for outdoor and underwater environments up to 10 m (IP66/IP68), with operating temperature range: -20°C / +50°C. To provide maximum versatility of application, the body can be made of aluminum or steel; the frame, aluminum, steel or brass. The light source consists of a single 3W power Led chip powered at 24V constant voltage with integrated driver. The luminous flux makes it ideal for marking pedestrian paths or illuminating architectural details. The source is recessed for greater visual comfort. Color rendering index CRI > 90. Oceano is equipped with IdroSkud® system to protect electronic components from voltage spikes, polarity reversal and water infiltration. There are optionals for anti-glare (honeycomb and louvre) and installation accessories (draining and waterproof outercase and spring for ceiling attachment). The product must be combined with a power supply to ensure its operation. The power supply must be ordered separately. The amount of luminaires that can be connected to a single power supply varies depending on the type of installation. It is up to the installer to verify the possible voltage drop by evaluating the distance between the product and the power supply.

### Lighting data

Source type	single chip power LED	Photobiological risk	RG0
CCT	2700K	ULR	100.00%
CRI	> 90	BUG Rating	B0 U3 G0
MacAdam (SDCM)	2	CIE Flux Code	0 0 0 0 100
Source lumen output (lm)	236	LED lifetime	L80 B10 50.000h
Luminaire lumen output (lm)	136	Efficiency class	This product contains a light source of energy efficiency class (EU2019/2015): F
Light emission	Narrow		
Beam angle	10°		

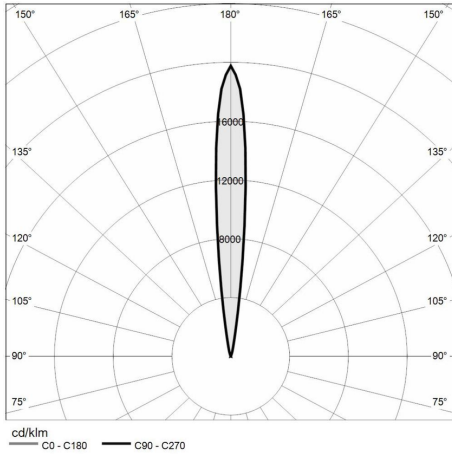
### Mechanical data

Width (mm)	60	Diffuser thickness (mm)	8
Length (mm)	60	Class ISO 9223	C5
Height (mm)	93	Optic type	Technopolymer TIR Lens
Weight (g)	293	Optical optional	Honeycomb
IP Rating	IP66 / IP68 10m	Maximal working temperature	+50° C
IK rating	IK10	Minimal working temperature	-20° C
Shape	Square	Maximal static load (kN)	5
Finishing colour	Aluminium / Aluminium	Walk-over	Yes
Frame material	Anodized 20u aluminum anticorodal 6082, Anodized 20u aluminum anticorodal 6082	Driver-over	No
Body material	Anodized 20u aluminum anticorodal 6082	Maximal surface temperature	+50° C
External screws material	Stainless steel 316L (A4)	Areas EN 60598-2-13	A1 / A2
Diffuser material	Extraclear tempered glass		

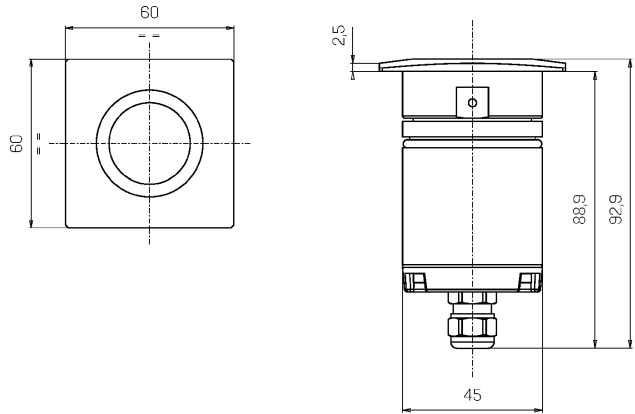
### Electrical data

Nominal power (W)	3	Electrical connection	Parallel connection
Power supply (input power type)	Costant voltage - 24V	Idroskud® protection	Yes
Ballast	Remote	Inverse polarity protection	Yes
Insulation class	III	Voltage spikes protection	Yes
Dimmable	Yes		
Power cable type	H05RN - F 2x0,75 mm <sup>2</sup>		
Power cable length	0,4 m		

**Photometry**



**Technical drawing**



**Accessories**



**DRAINING OUTERCASE**

Outercase draining OCEANO 3

Cod: CEAZZ006



**SLIM DRAINING OUTERCASE**

Outercase draining slim OCEANO 3

Cod: CEAZZ007



**SLIM WATER-PROOF OUTERCASE**

Outercase waterproof slim OCEANO 3

Cod: CEAZZ008



**NOT DIMMABLE POWER SUPPLY**

Power supply DC 24V 14,4W IP67 ON/OFF

Cod: MID0019



**NOT DIMMABLE POWER SUPPLY**

Power supply DC 24V 36W IP67 ON/OFF

Cod: MID0020



**DIMMABLE POWER SUPPLY**

Power supply 220/240 50/60Hz 24V 24W IP67 DALI

Cod: MID0021



**SPRING FOR CEILING MOUNTING**

Spring for ceiling mounting OCEANO 3

Cod: CEAZZ018