



OCEANO 3.2

DRIVE-OVER

OCEANO 3.2 3W AL-AL ELL 4000K 24V
LV 5M

Cod: **CEA06FCE200H00**



IdroSkud® protection system
 - polarity reversal protection
 - voltage spikes protection
 - water infiltration protection



Protection class III
 Designed to be supplied from a separated extra-low voltage (SELV) power supply



IP 66
 Protected against powerful power jets, 100 liters per minute



IP 68 up to 10m
 Protected against continuous immersion up to 10 meters



IK 10
 Protected against impact of 20 J



High temperatures
 Design to withstand temperatures up to +50° C



Walk-over
 Fixture design to withstand a static load up to 5 kN



C5 - Very high
 corrosion resistance level ISO 9223



Mizar warranty
 5 years warranty



Technical description

Inground luminaire, drive-over, suitable for outdoor and underwater environments up to 10 m (IP66/IP68), with operating temperature range: -20°C / +50°C. To provide maximum versatility of application, the body can be made of aluminum or steel; the frame, aluminum or steel. The light source consists of a single 3W power Led chip powered at 24V constant voltage with integrated driver. The luminous flux makes it ideal for marking pedestrian paths or illuminating architectural details. The source is recessed for greater visual comfort. Color rendering index CRI > 90. Oceano is equipped with IdroSkud® system to protect electronic components from voltage spikes, polarity reversal and water infiltration. There are optionals for anti-glare (honeycomb and louvre) and installation accessories (drive-over outercase). The product must be combined with a power supply to ensure its operation. The power supply must be ordered separately. The amount of luminaires that can be connected to a single power supply varies depending on the type of installation. It is up to the installer to verify the possible voltage drop by evaluating the distance between the product and the power supply.

Lighting data

| | | | |
|-----------------------------|-----------------------|----------------------|--|
| Source type | single chip power LED | Photobiological risk | RG0 |
| CCT | 4000K | ULR | 100.00% |
| CRI | > 90 | BUG Rating | B0 U3 G0 |
| MacAdam (SDCM) | 2 | CIE Flux Code | 0 0 0 0 100 |
| Source lumen output (lm) | 236 | LED lifetime | L80 B10 50.000h |
| Luminaire lumen output (lm) | 159 | Efficiency class | This product contains a light source of energy efficiency class (EU2019/2015): F |
| Light emission | Elliptical | | |
| Beam angle | 10°x45° | | |

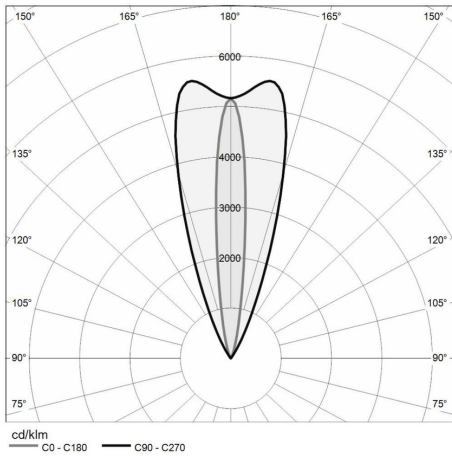
Mechanical data

| | | | |
|--------------------------|--|-----------------------------|------------------------|
| Diameter (mm) | 90 | Diffuser thickness (mm) | 8 |
| Height (mm) | 93 | Class ISO 9223 | C5 |
| Weight (g) | 308 | Optic type | Technopolymer TIR Lens |
| IP Rating | IP66 / IP68 10m | Optical optional | Louvre |
| IK rating | IK10 | Maximal working temperature | +50° C |
| Shape | Round | Minimal working temperature | -20° C |
| Finishing colour | Aluminium / Aluminium | Maximal static load (kN) | 20 |
| Frame material | Anodized 20u aluminum anticorodal 6082, Anodized 20u aluminum anticorodal 6082 | Walk-over | Yes |
| Body material | Anodized 20u aluminum anticorodal 6082 | Driver-over | Yes |
| External screws material | Stainless steel 316L (A4) | Maximal surface temperature | +50° C |
| Diffuser material | Extraclear tempered glass | Areas EN 60598-2-13 | A1 / A2 / A3 / A4 |

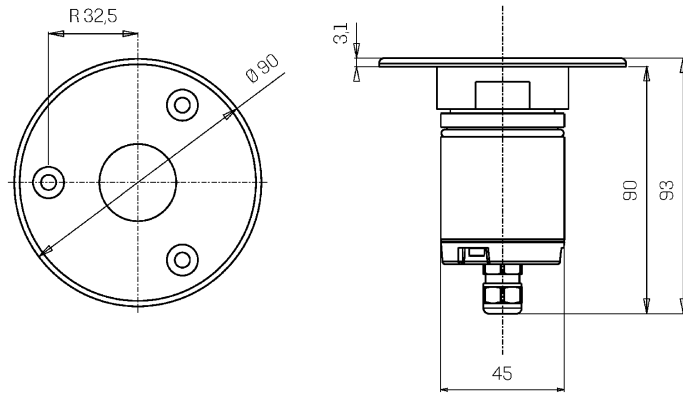
Electrical data

| | | | |
|---------------------------------|----------------------------------|-----------------------------|---------------------|
| Nominal power (W) | 3 | Electrical connection | Parallel connection |
| Power supply (input power type) | Costant voltage - 24V | Idroskud® protection | Yes |
| Ballast | Remote | Inverse polarity protection | Yes |
| Insulation class | III | Voltage spikes protection | Yes |
| Dimmable | Yes | | |
| Power cable type | H05RN - F 2x0,75 mm ² | | |
| Power cable length | 5 m | | |

Photometry



Technical drawing



Accessories



DIMMABLE POWER SUPPLY

Power supply 220/240 50/60Hz 24V
24W IP67 DALI
Cod: MID0021



NOT DIMMABLE POWER SUPPLY

Power supply DC 24V 14,4W IP67
ON/OFF
Cod: MID0019



NOT DIMMABLE POWER SUPPLY

Power supply DC 24V 36W IP67 ON/OFF
Cod: MID0020



DRIVE-OVER OUTER CASE

Outer case drive-over OCEANO 3
Cod: CEAZZ009