



OCEANO 4.0 RGBW

OCEANO 4.0 8W AL-AL 40° RGBW 24V
PWM HC 1,5M

Cod: **CEA08PCL100C00**



IdroSkud® protection system
- polarity reversal protection
- voltage spikes protection
- water infiltration protection



Protection class III
Designed to be supplied from a separated extra-low voltage (SELV) power supply



IP 66
Protected against powerful power jets, 100 liters per minute



IP 68 up to 10m
Protected against continuous immersion up to 10 meters



IK 09
Protected against impact of 10 J



High temperatures
Design to withstand temperatures up to +50° C



Walk-over
Fixture design to withstand a static load up to 5 kN



C5 - Very high
corrosion resistance level ISO 9223



RGBW luminaire
Light source allows to mix colours controlling four channels



Mizar warranty
5 years warranty



Technical description

Inground luminaire, walk-over, suitable for outdoor and underwater environments up to 10 m (IP66/IP68), with operating temperature range: -20°C / +50°C. To provide maximum versatility of application, the body can be made of aluminum or steel; the frame, aluminum, steel or brass. The light source is a multi-chip LED RGBW powered by constant voltage 24V, for maximum power of 8W, paired with a specific color-mixing TIR lens. The luminous flux makes it ideal for marking pedestrian paths or illuminating architectural details. The source is recessed for greater visual comfort. Color rendering index CRI > 90. Oceano is equipped with IdroSkud® system to protect electronic components from voltage spikes, polarity reversal and water infiltration. There are optionals for anti-glare (honeycomb and louvre) and installation accessories (draining and waterproof outercase and spring for ceiling attachment). The product must be combined with a power supply to ensure its operation. The power supply must be ordered separately. The amount of luminaires that can be connected to a single power supply varies depending on the type of

MIZAR is a brand of REER SPA

Via Carcano 32 - 10153 - Torino, Italy

Tel: +39 011 9969833 - Mail: info@mizar.it - www.mizar.it

installation. It is up to the installer to verify the possible voltage drop by evaluating the distance between the product and the power supply.

Lighting data

| | | | |
|-----------------------------|----------------|----------------------|-----------------|
| Source type | multi-chip LED | Beam angle | 40° |
| CCT | RGBW (4000K) | Photobiological risk | RG0 |
| CRI | > 80 | ULR | 100.00% |
| MacAdam (SDCM) | 3 | BUG Rating | B0 U3 G0 |
| Source lumen output (lm) | 640 | CIE Flux Code | 0 0 0 0 100 |
| Luminaire lumen output (lm) | 336 | LED lifetime | L80 B10 50.000h |
| Light emission | Wide | | |

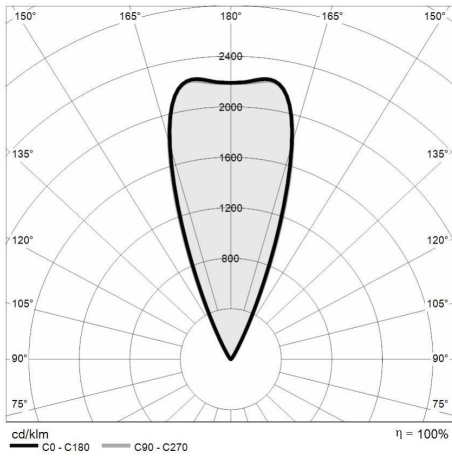
Mechanical data

| | | | |
|-------------------------|---|-----------------------------|------------------------|
| Diameter (mm) | 90 | Class ISO 9223 | C5 |
| Height (mm) | 114 | Optic type | Technopolymer TIR Lens |
| Weight (g) | 640 | Optical optional | Honeycomb |
| IP Rating | IP66 / IP68 10m | Maximal working temperature | +50° C |
| IK rating | IK09 | Minimal working temperature | -20° C |
| Shape | Round | Maximal static load (kN) | 5 |
| Finishing colour | Aluminium / Aluminium, Aluminum / Aluminum | Walk-over | Yes |
| Frame material | Anodized aluminum anticorodal 6082 | Driver-over | No |
| Body material | Anodized aluminum anticorodal 6082 | Maximal surface temperature | +50° C |
| Diffuser material | Extraclear tempered glass | Areas EN 60598-2-13 | A1 / A2 |
| Diffuser thickness (mm) | 8 | | |

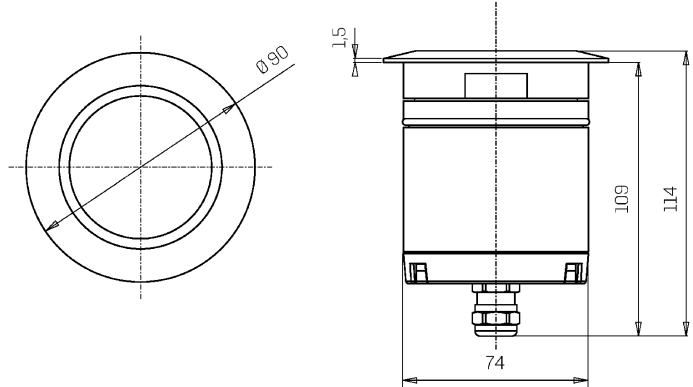
Electrical data

| | | | |
|---------------------------------|------------------------------------|-----------------------------|---------------------|
| Nominal power (W) | 8 | Electrical connection | Parallel connection |
| Power supply (input power type) | Costant voltage - 24V | Idroskud® protection | Yes |
| Ballast | Remote | Inverse polarity protection | Yes |
| Insulation class | III | Voltage spikes protection | Yes |
| Dimmable | Yes (PWM) | | |
| Power cable type | FR5FOEM7-AD8 6x0,5 mm ² | | |
| Power cable length | 1,5 m | | |

Photometry



Technical drawing



Accessories



DRAINING OUTERCASE

Outercase draining OCEANO 4

Cod: CEAZZ010



SLIM DRAINING OUTERCASE

Outercase draining slim OCEANO 4

Cod: CEAZZ011



SLIM WATER-PROOF OUTERCASE

Outercase waterproof slim OCEANO 4

Cod: CEAZZ012



NOT DIMMABLE POWER SUPPLY

Power supply DC 24V 14,4W IP67 ON/OFF

Cod: MID0019



NOT DIMMABLE POWER SUPPLY

Power supply DC 24V 36W IP67 ON/OFF

Cod: MID0020



DIMMABLE POWER SUPPLY

Power supply 220/240 50/60Hz 24V 24W IP67 DALI

Cod: MID0021



RGBW CONTROL UNIT

Control unit WT5 5-channel RGBW PWM/WiFi

Cod: MID0023



NOT DIMMABLE POWER SUPPLY

Power supply DC 24V 70W 2,9A IP67

Cod: MID0028



NOT DIMMABLE POWER SUPPLY

Power supply DC 24V 150W 6,25A IP67

Cod: MID0029



DIMMABLE POWER SUPPLY

Power supply DC 24V 120W 5A IP67
DALI2/PWM

Cod: MID0030



DIMMABLE POWER SUPPLY

Power supply DC 24V 200W 5A IP67
DALI2/PWM

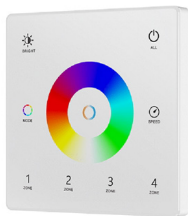
Cod: MID0031



RGBW REMOTE

Remote control RGBW RT 1zone RF
2.4GHz

Cod: MID1000



RGBW TOUCH PANEL

Touch wall panel RGBW 4 zone

Cod: MID1001