

IRIS 1.0

IRIS 1.0 650mm 1W GR6009 25° 3000K
24V 1,5M

Cod: **RRS01DCM0E0C00**



IdroSkud® protection system
- polarity reversal protection
- voltage spikes protection
- water infiltration protection



Protection class III
Designed to be supplied from a separated extra-low voltage (SELV) power supply



IP 66
Protected against powerful power jets, 100 liters per minute



IP 67
Protected against temporary immersion (30 minutes) up to 1 meter



IK 09
Protected against impact of 10 J



High temperatures
Design to withstand temperatures up to +50° C



C5 - Very high
corrosion resistance level ISO 9223



Mizar warranty
5 years warranty



Technical description

Floodlight on spike suitable for outdoor use (IP66/IP67), designed to be installed among plants directly in the ground, Operating temperature range: -20°C / +50°C. To reduce weight and ensure corrosion resistance, the body is made of aluminum. The aluminum body is protected by polyester epoxy paint to ensure corrosion resistance of 1500 hours in salt spray. The light source consists of a single 1W power Led chip powered at 24V constant voltage with integrated driver. The high luminous flux makes it ideal for marking pedestrian and or illuminating facades and architectural details thanks to the optics with TIR lens. The LED source is recessed for greater visual comfort. Color rendering index CRI > 90. Iris is equipped with IdroSkud® system to protect electronic components from voltage spikes, polarity reversal and water infiltration. There are optionals for anti-glare (honeycomb). The product must be combined with a power supply to ensure its operation. The power supply must be ordered separately. The amount of luminaires that can be connected to a single power supply varies depending on the type of installation. It is up to the installer to verify the possible voltage drop by evaluating the distance between the product and the power supply.

Lighting data

Source type	single chip power LED	Photobiological risk	RG0
CCT	3000K	ULR	0.00%
CRI	> 90	BUG Rating	B0 U0 G0
MacAdam (SDCM)	2	CIE Flux Code	83 93 98 100 100
Source lumen output (lm)	126	LED lifetime	L80 B10 50.000h
Luminaire lumen output (lm)	67	Efficiency class	This product contains a light source of energy efficiency class (EU2019/2015): E
Light emission	Medium		
Beam angle	25°		

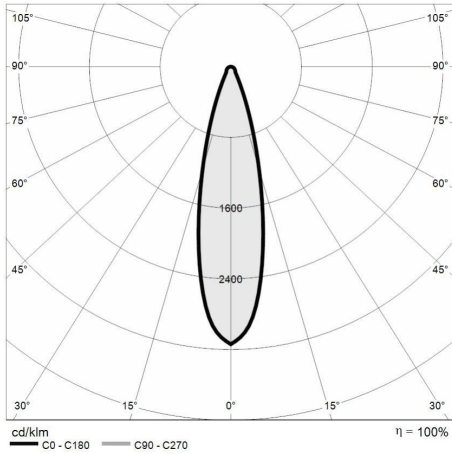
Mechanical data

Width (mm)	27	Body material	Anodized aluminum anticorodal 6082
Length (mm)	44	Diffuser material	Extraclear tempered glass
Height (mm)	712	Diffuser thickness (mm)	4
Weight (g)	203	Class ISO 9223	C5
IP Rating	IP66 / IP67	Optic type	Technopolymer TIR Lens
IK rating	IK09	Optical optional	None
Type of finishing	Protective primer followed by epoxy and polyester paint	Maximal working temperature	+50° C
Finishing colour	Green RAL6009	Minimal working temperature	-20° C
Frame material	Anodized aluminum anticorodal 6082		

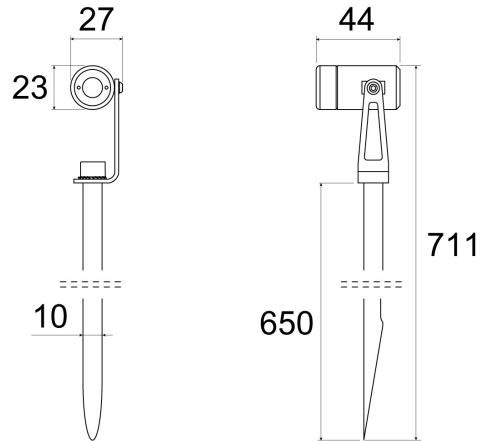
Electrical data

Nominal power (W)	2	Electrical connection	Parallel connection
Power supply (input power type)	Costant voltage - 24V	Idroskud® protection	Yes
Ballast	Remote	Inverse polarity protection	Yes
Insulation class	III	Voltage spikes protection	Yes
Dimmable	Yes		
Power cable type	FR5FOEM7 - AD8 2x0,5 mm ²		
Power cable length	1,5 m		

Photometry



Technical drawing



Accessories



NOT DIMMABLE POWER SUPPLY

Power supply DC 24V 14,4W IP67
ON/OFF

Cod: MID0019



NOT DIMMABLE POWER SUPPLY

Power supply DC 24V 36W IP67 ON/OFF

Cod: MID0020



DIMMABLE POWER SUPPLY

Power supply 220/240 50/60Hz 24V
24W IP67 DALI

Cod: MID0021