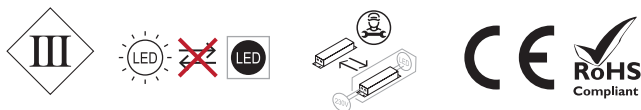




| | |
|-----------------------|---|
| power | 3 W – single chip Power Led |
| power supply | 24V Constant Voltage driver integrated |
| insulation class | III Class |
| IP rating | IP66 / IP68 10 m |
| IK rating | IK 10 |
| operating temperature | -20°C / +50°C |
| size | Ø 45x93x83 mm |
| light source flux | 227 lm (3000K) |
| effective flux | 153 lm (3000K) |
| beam angles | 10° - 25° - 40° - elliptical 10° x 45° |
| CCT | 2700K - 3000K - 4000K |
| CRI | > 90 |
| BIN selection | 2 Step MacAdam |
| body materials | <ul style="list-style-type: none"> _ Ø20 ØU _ 316L\square |
| frame materials | <ul style="list-style-type: none"> _ Ø20 ØU _ 316L\square |
| screen | extra clear tempered glass sp. 8 mm |
| installation | with stainless steel bracket |
| power cable | H05RN - F 2X0.75 mm ² |
| electrical connection | parallel connection |
| weight | 304 g (aluminium) - 629 g (steel) |
| protection system | IdroSkud® System _ polarity reversal protection _ voltage peak protection _ water ingress protection |

This product contains an energy class **F** light source.



DISPOSAL OF MATERIALS

Dispose of the product in an eco-compatible manner and in accordance with national legislation



For Countries in the European Union: Pursuant to the Directive no. 2012/19/EU on waste electrical and electronic equipment (WEEE).

The crossed out wheeled-bin symbol on the equipment or its packaging means that when the product reaches the end of its useful life it must be collected separately from other waste.

Proper separate collection of the discarded equipment for the later environmental-friendly recycling, processing and disposal, helps to avoid any negative impact on the environment and health and encourages re-use and recycling of the materials the equipment is made of.

In each individual Member State of the European Union this product is required to be disposed of in accordance with Directive **2012/19/EU** as implemented in the Member State where the product is disposed of.

For further information please contact REER or your local dealer.

The precise and complete observance of all rules, indications and prohibitions set out in these instructions is an essential requirement for the correct operation and use of the product. Mizar, therefore, declines all responsibility for anything deriving from the non-observance, even partial, of these instructions.

Specifications subject to change without notice.
Total or partial reproduction is prohibited without Mizar permission.



8543335

mizar

MADE IN ITALY



OCEANO 7

RECESSED SPOTLIGHT

OPERATING AND INSTALLATION INSTRUCTIONS

8543335_0

MIZAR is a REER S.p.A. brand
 via Carcano 32 | 10135 Torino | ITALIA
 Tel. +39 011 9969833 | Fax +39 011 859867
 e-mail: info@mizarluce.it | www.mizar.it



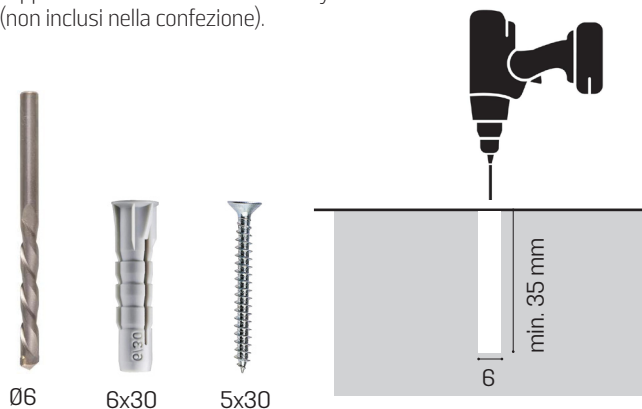
WARNING

- ⚠ Read the following instructions carefully and keep them.
- ⚠ Technical product data can be found on the back of the sheet and on the product label.
- ⚠ Always switch off the power supply before installation or maintenance.
- ⚠ The device must be installed by qualified personnel. MIZAR accepts no liability if installation is not carried out in accordance with current standard.
- ⚠ Modifications or tampering with the product, not authorized by MIZAR, void all warranty conditions.
- ⚠ Product for indoor and outdoor use.
- ⚠ Never cover visible parts of the product.
- ⚠ No metal parts must be in direct contact or come into contact with aggressive chemicals (fertilisers, aggressive detergents)
- ⚠ Do not stare at the light source during its operation.
- ⚠ Clean the device periodically, avoiding dirt accumulation (at least twice a year).
- ⚠ Please contact MIZAR for Led replacement.
- ⚠ If the glass breaks, the product cannot be used; contact Mizar for replacement.

FISSAGGIO A PAVIMENTO O PARETE

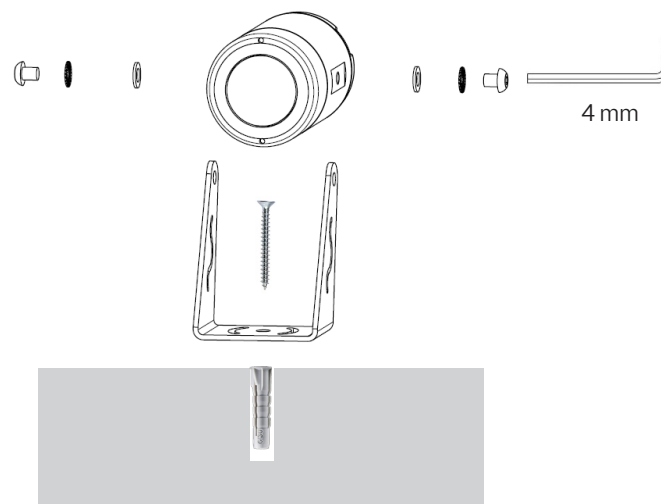
①

Il prodotto può essere installato sia su superfici in muratura, sia in cartongesso. In funzione del materiale su cui verrà fissato l'apparecchio dotarsi di tassello in nylon e vite adatti (non inclusi nella confezione).



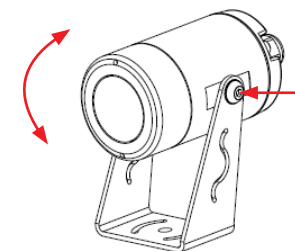
②

Fissare la staffa alla superficie precedentemente forata quindi avvitare il faretto alla staffa utilizzando una chiave a brugola esagonale 4 mm

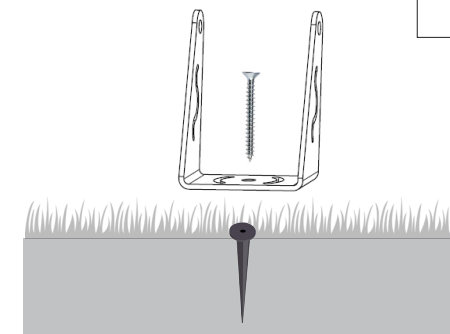


③

Per regolare l'inclinazione del faretto allentare la vite a staffa tramite chiave a brugola esagonale 4 mm e riserrare la vite.



In caso di fissaggio su terreno utilizzare l'accessorio **picchetto** (CEAZZ016) e vincolare la staffa tramite vite.



Parallel connection instruction

