



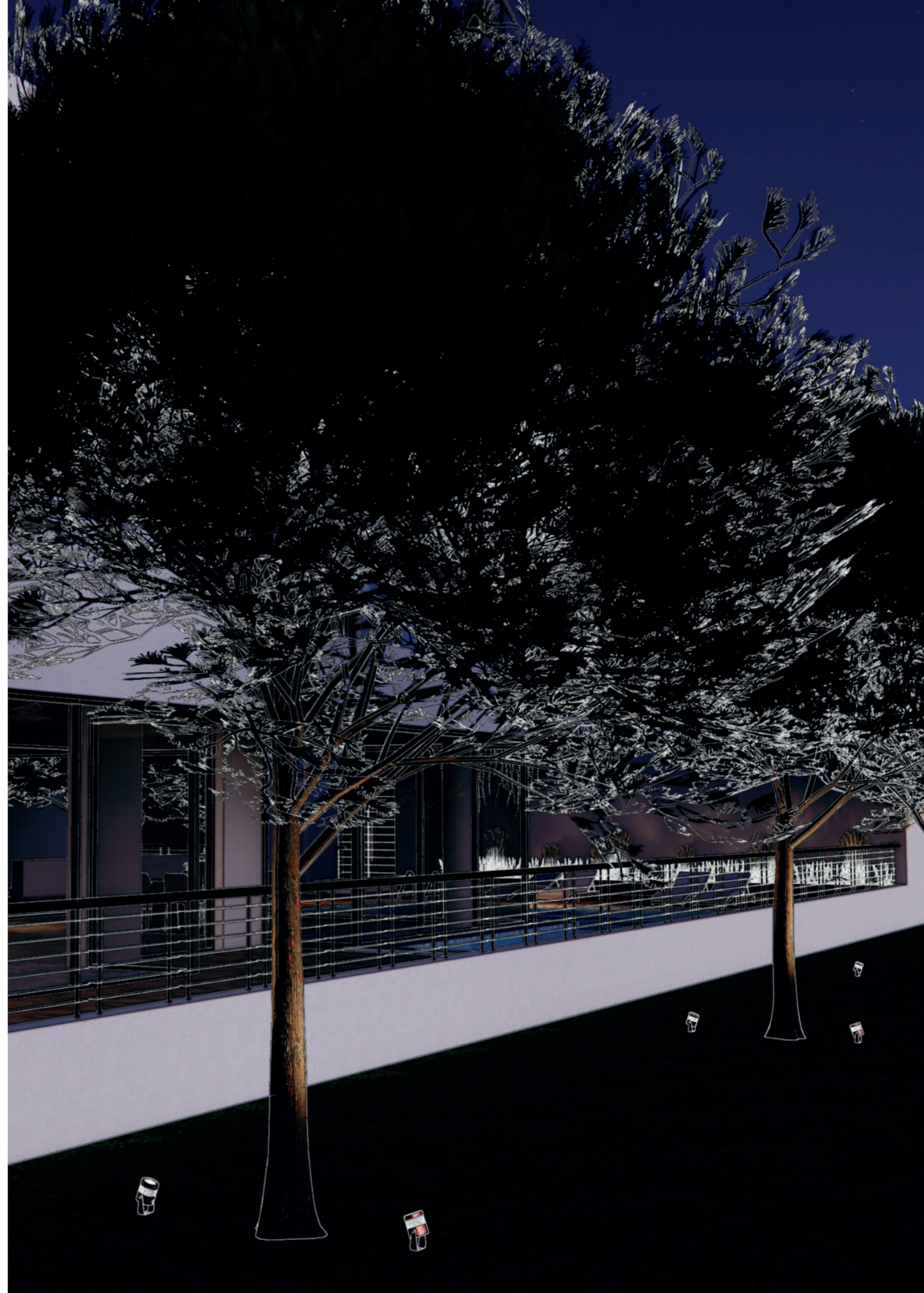
mizar

ELIOS

# Elios

[ˈɛːljɔs]

ELIOS, the versatile floodlight designed to elevate your lighting projects. Available in a variety of elegant finishes, ELIOS offers powerful illumination, perfect for highlighting plants or architectural facades. With the option to choose between white light in different color temperatures or a dynamic RGBW emission, and a range of narrow to wide optics, ELIOS adapts perfectly to any design style.



# Elios



Elios 1.0



Elios 1.1  
RGBW



# Elios / Product features



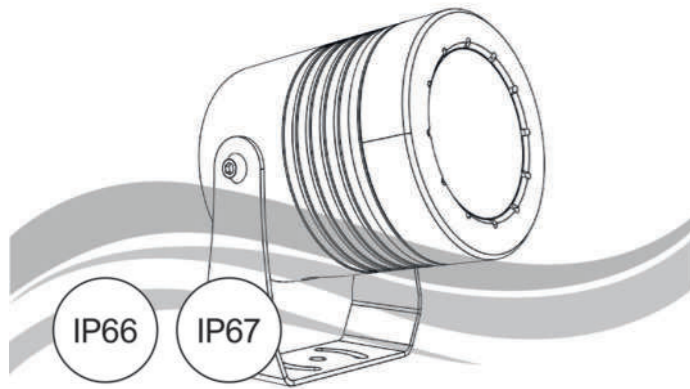
## Construction quality as the first goal

At MIZAR we believe that one of the first characteristics of a "Made in Italy" product is an excellent build quality. ELIOS are turned from solid, anodized Anticorodal 6082 aluminum and coated with a protective primer, followed by epoxy polyester powder painting. It is also available in a completely black anodised version, without powder coating.



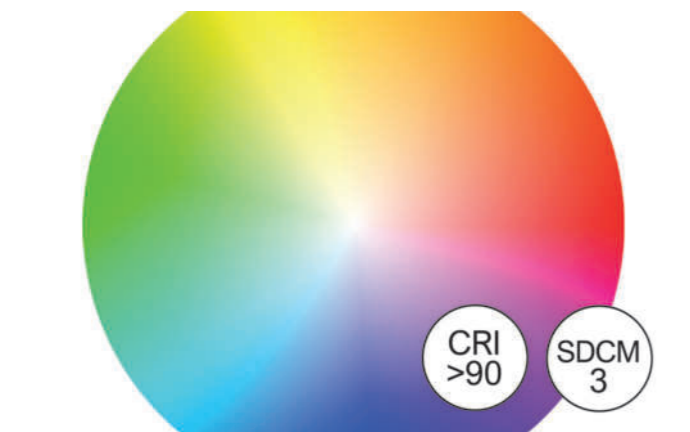
## Corrosion resistance at the highest level

The care taken in the design and choice of materials enables the highest classes of the international ISO 9223 standard to be achieved. All ELIOS floodlights, are rated C5 ("Very High").



## Highest degrees of protection

ELIOS units are fully protected against the ingress of any type of dust (IP 6X) and are protected against temporary immersion for up to 30 minutes at a depth of 1 meter. The products are also tested against high-pressure water jets (IP X6). 100 litres per minute, at a pressure of 100 kPa at a distance of 3 meters.



## Faithful reproduction of colors

The ELIOS series products are equipped with a range of top-quality LED light sources. Colour rendering index (CRI) > 90. They also offer excellent colour temperature consistency, with a Step MacAdam 3 value.



## IdroSkud®

Innovative Mizar exclusive patent to protect electronic components from voltage spikes, polarity reversal, moisture or water infiltrations through the power cable.



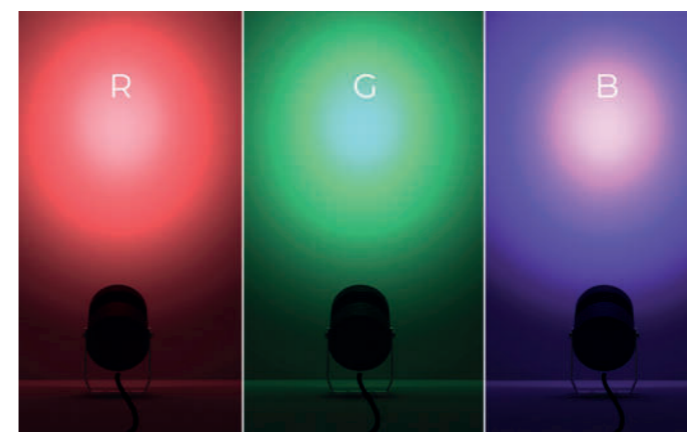
## Wide range of optics and the importance of visual comfort

All ELIOS units can be equipped with narrow, medium, or wide optics. Maximum lighting design flexibility. All ELIOS are designed with a lowered light source to reduce perceived glare. In addition, they can be configured by inserting optical optionals such as honeycomb, for the highest level of visual comfort.



## Wide choice of color temperatures

The ELIOS series is offered with a wide range of color temperature options: 2700K, 3000K, 4000K.

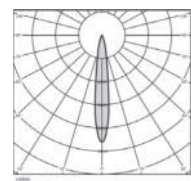
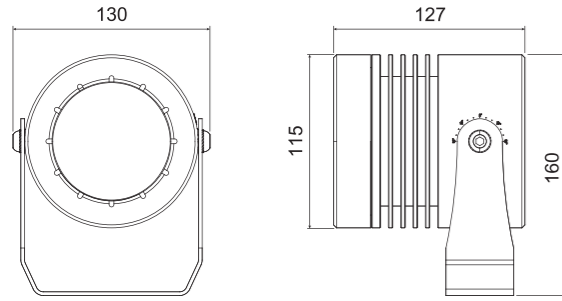


## RGBW dynamic scenarios

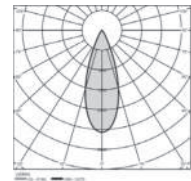
The ELIOS series, in addition to different color temperatures, in ELIOS 1.1 models is available in versions equipped with RGBW sources, controlled in PWM (or DMX on request).



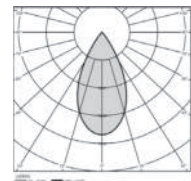
# Elios 1.0



14°



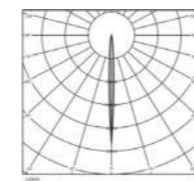
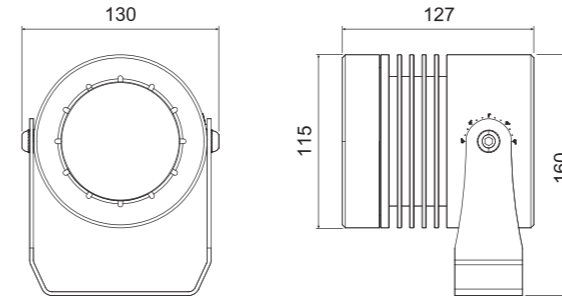
35°



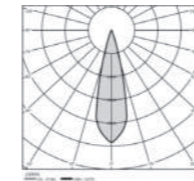
55°

Source type	LED COB
CCT	2700K 3000K 4000K
CRI	>90
Step MacAdam	3
Lumen output	up to 1772 lm
Beam angle	14° 35° 55°
Optical optional	None Honeycomb
LED Lifetime	L80 B10 50.000h
IP rating	IP66 / 67
IK rating	IK10
Type of finishing	Anodization Epoxy polyester powder coating
Finishing colour	Black anodized Anthracite RAL7016 White RAL9003 Corten Green RAL6009
Bezel material	Anodized aluminium anticorodal 6082
Body material	Anodized aluminium anticorodal 6082
Bracket material	Shot peened stainless steel 316L
Diffuser material	Extra-clear tempered glass
Diffuser thickness	12mm
ISO 9223 class	C5
Operating temperature	-20°C / +50° C
Power	20W
Input power type	Constant voltage 48V
Power supply	Remote
Insulation class	Class III
Dimmable	Yes
Cable type	H05RN-F 2x0,75 mm <sup>2</sup>
Electrical connection	Parallel
Idroskud® protection	Yes

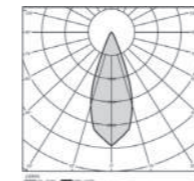
# Elios 1.1 RGBW



5°



26°



40°

Source type	LED multi-chip
CCT	RGBW (4000K)
CRI	>80
Step MacAdam	3
Lumen output	up to 599 lm
Beam angle	5° 26° 40°
Optical optional	None Honeycomb
LED Lifetime	L80 B10 50.000h
IP rating	IP66 / 67
IK rating	IK10
Type of finishing	Anodization Epoxy polyester powder coating
Finishing colour	Black anodized Anthracite RAL7016 White RAL9003 Corten Green RAL6009
Bezel material	Anodized aluminium anticorodal 6082
Body material	Anodized aluminium anticorodal 6082
Bracket material	Shot peened stainless steel 316L
Diffuser material	Extra-clear tempered glass
Diffuser thickness	12mm
ISO 9223 class	C5
Operating temperature	-20°C / +50° C
Power	13W
Input power type	Constant voltage 24V
Power supply	Remote
Insulation class	Class III
Dimmable	Yes (PWM)
Cable type	FR5FOEM7-AD8 6x0,5 mm <sup>2</sup>
Electrical connection	Parallel
Idroskud® protection	Yes

## Accessories

Type	Model	Code	Description
Mounting kit	ELIOS 1.0 / 1.1	CEAZZZ017	Ground stake for large size floodlights

## Code configurator

Model	CCT	CRI	Beam angle	Optical optionals	Finishing	Cable length	Version							
EL500	C	2700K	C	CRI > 90	S	14°	0	None	01	Black anodized	C	1,5 m	00	Standard
	D	3000K			M	35°	1	Honeycomb	CT	Corten				
	F	4000K			L	55°			E0	Green RAL6009				
EL501	P	RGBW	C	CRI > 80	S	5°	0	None	01	Black anodized	C	1,5 m	00	Standard
					M	26°	1	Honeycomb	CT	Corten				
					L	40°			E0	Green RAL6009				
									G0	Anthracite RAL7016				
								W0	White RAL9003					

### Configuration example

EL500	C	C	S	0	01	C	00
-------	---	---	---	---	----	---	----

EL500CCS001C00 - ELIOS 1.0 20W An. Black 14° 2700K 48V 1,5m

## Power supplies

Consult the power supply table on the Mizar website in the Download section



Type	Model	Code	Description
Power supply	ELIOS 1.0	MID0032	Power supply DC 48V 100W 2,1A IP67 DALI2/PWM
Power supply	ELIOS 1.0	MID0033	Power supply DC 48V 160W 3,3A IP67 DALI2/PWM
Power supply	ELIOS 1.1	MID0020	Power supply DC 24V 36W 1,5A IP67 ON/OFF
Power supply	ELIOS 1.1	MID0021	Power supply DC 24V 24W 1A IP67 DALI
Power supply	ELIOS 1.1	MID0028	Power supply DC 24V 70W 2,9A IP67
Power supply	ELIOS 1.1	MID0029	Power supply DC 24V 150W 6,25A IP67
Power supply	ELIOS 1.1	MID0030	Power supply DC 24V 120W 5A IP67 DALI2/PWM
Power supply	ELIOS 1.1	MID0031	Power supply DC 24V 200W 5A IP67 DALI2/PWM
Control unit	ELIOS 1.1	MID0023	Control unit WT5 5 channels RGBW PWM/WiFi
Remote	ELIOS 1.1	MID1000	Remote RT5 RGB+CCT 1 zone RF 2.4GHZ
Touch panel	ELIOS 1.1	MID1001	Touch panel da parete TW5-4 RGB+CCT 4 zones





MIZAR  
a brand of ReeR spa

Via Carcano, 32  
10153 Turin - Italy

mizar.it  
info@mizar.it