



mizar

FORMA

Forma

[ˈfɔr.ma]

FORMA, the innovative modular step light designed for maximum customization. Its LED engine, compatible with standard junction boxes, can be combined with a variety of die-cast finishes. In addition, the reflector, magnetically attached to the body, offers the freedom to customize it or replace it effortlessly, making FORMA a truly adaptable lighting solution.

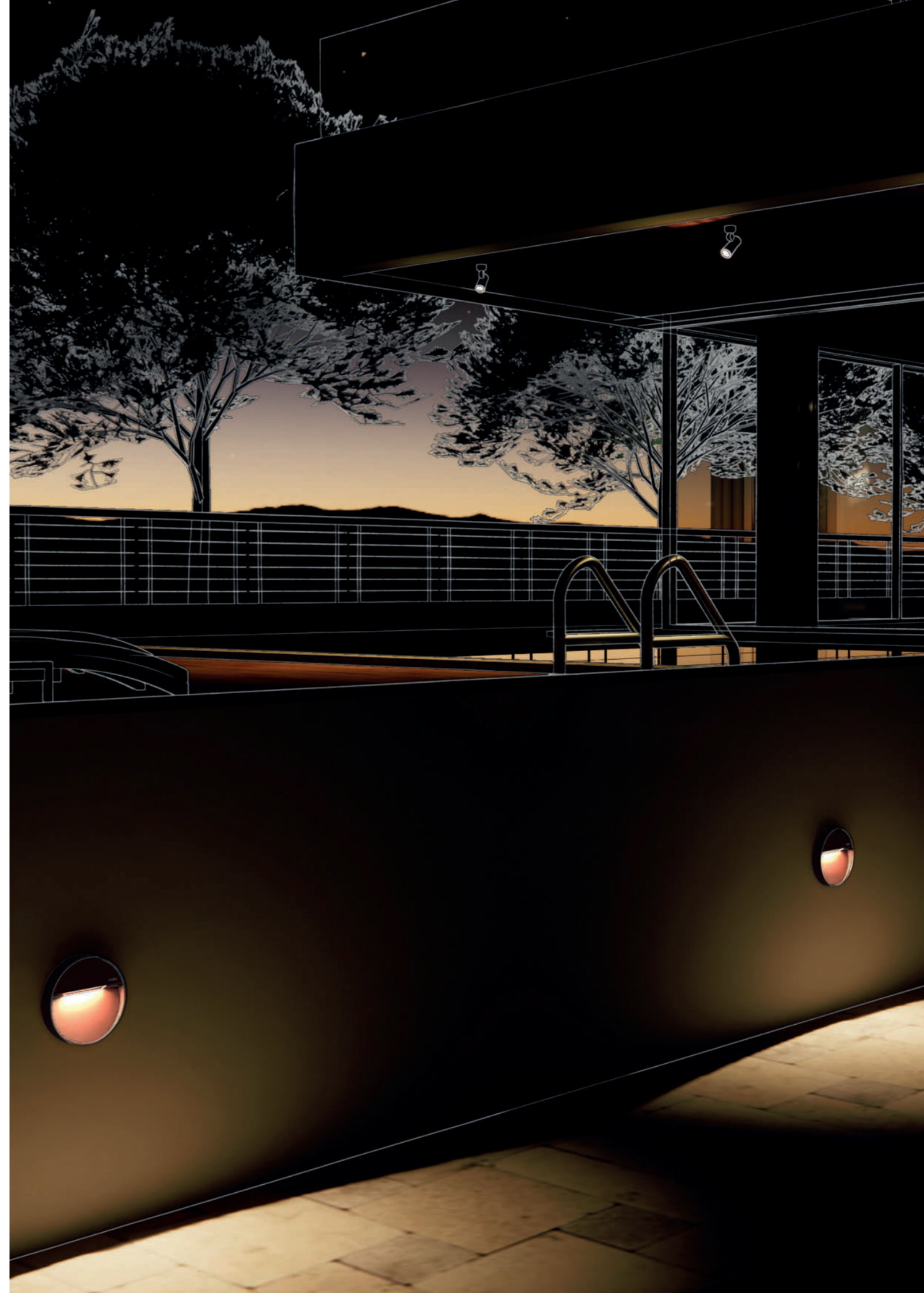
C5
ISO9223

IK08

IP65

IdroSkud

mizar



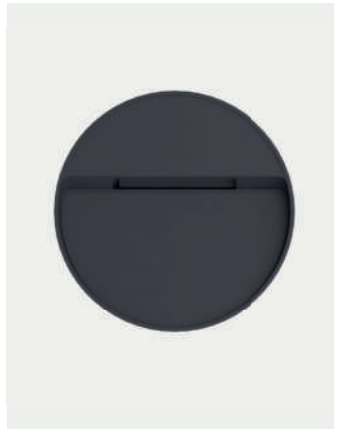
Forma



Forma 1.0



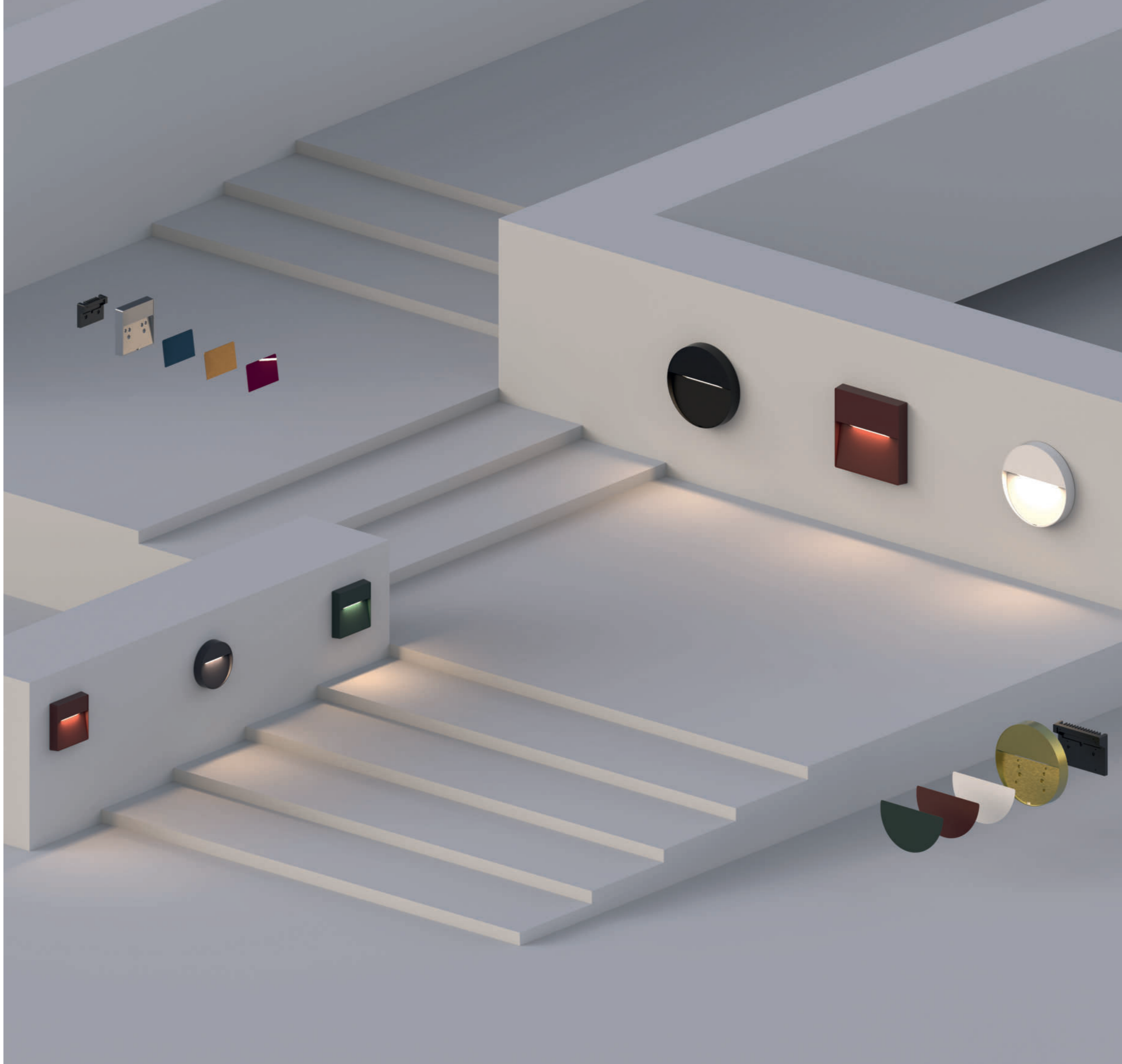
Forma 1.1



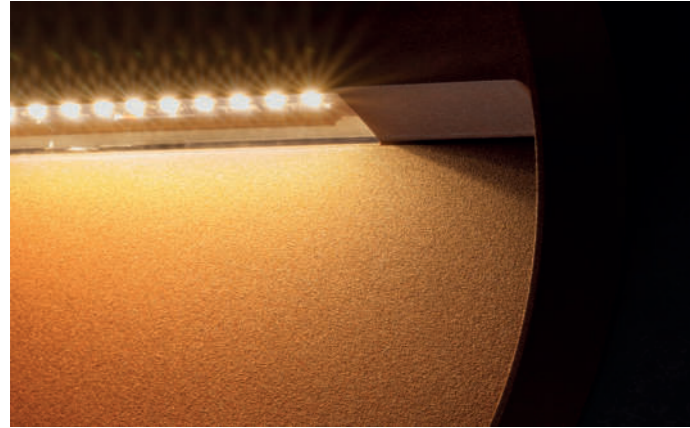
Forma 2.0



Forma 2.1



Forma / Product features



Construction quality as the first goal

At MIZAR we think that one of the first features of a "Made in Italy" product is an excellent build quality. The body of the FORMA is made of EN AB46100 die-cast aluminum. Finishing carried out with primer followed by epoxy polyester powder painting, tested to withstand over 1500h in salt spray.

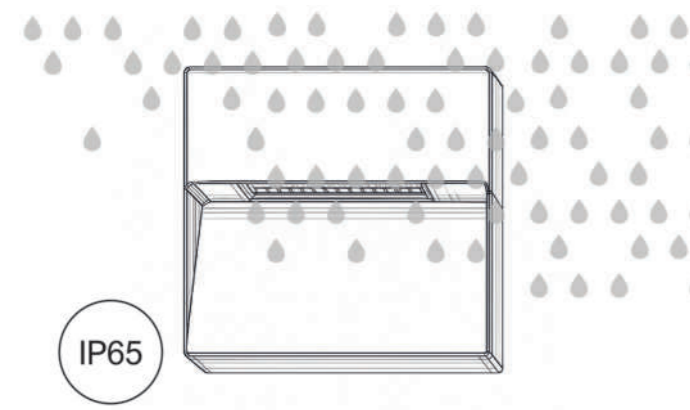
Corrosion resistance at the highest level

The care taken in the design and choice of materials makes it possible to achieve the highest classes of the international ISO 9223 standard. All FORMA are rated C5 ("Very High").



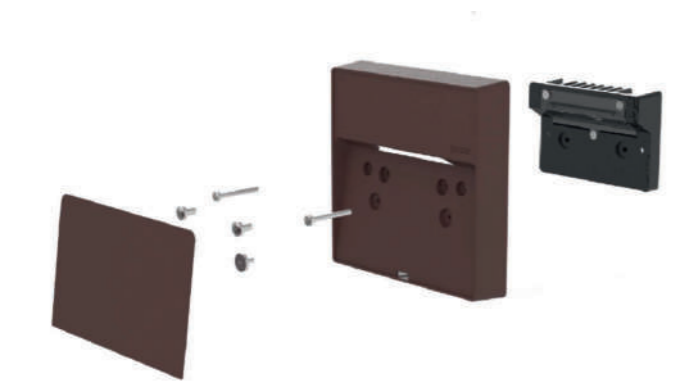
Highest degrees of protection

FORMA are fully protected against the ingress of any type of dust (IP 6X). The products are also tested against water jets (IP X5). 12,5 litres per minute, at a pressure of 30 kPa at a distance of 3 m.



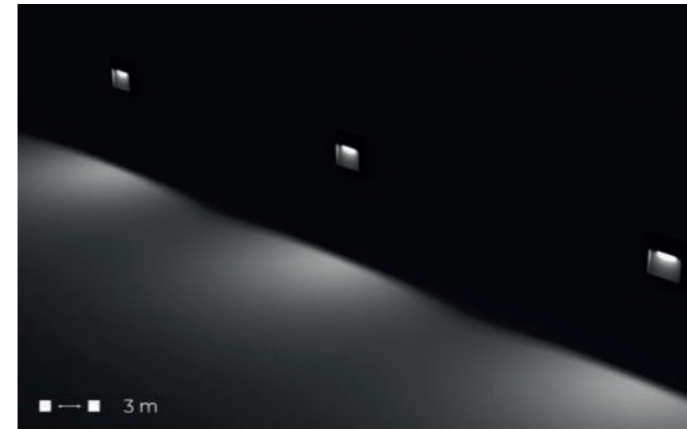
Innovative and modular installation

The FORMA series has been designed for installation directly on 503 junction boxes for the small models and 506-type for the large ones. The ideal product for quick and easy mounting on any wall covering. Depending on the chosen size, it is possible to change the shape of the cover (round or square) without needing to replace the core unit or modify the wiring.



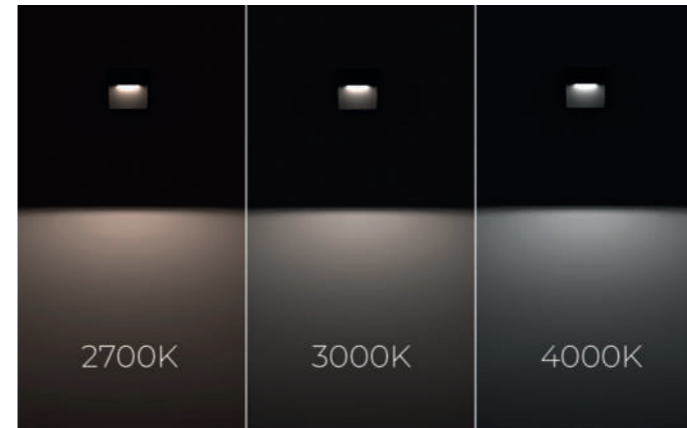
IdroSkud®

Innovative Mizar exclusive patent to protect electronic components from voltage spikes, polarity reversal, moisture or water infiltrations through the power cable.



Performing asymmetric optic

The size of the reflector and the light source tilting are specifically designed to give FORMA an asymmetrical performance. It results in excellent uniformity even at high interdistances.



Wide choice of color temperatures

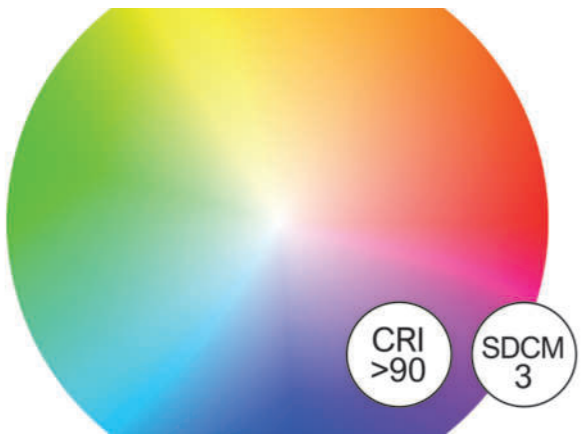
The FORMA series is offered with a wide choice of colour temperatures: 2700K, 3000K and 4000K. In addition – on request – versions with extremely warm colour temperatures (2200 K) are available.



Fully customizable

FORMA has a front plate that can be easily removed and customized, thanks to a magnetic attachment system. Customization can be done through laser engraving to recreate images, logos, or patterns. It can be painted in contrast or coated with another material of choice, while maintaining the same properties of weather resistance and durability over time.

Forma / Product features



Faithful reproduction of colors

The FORMA series products are equipped with a range of top-quality LED light sources. Colour rendering index (CRI) > 90. They also offer excellent colour temperature consistency, with a Step MacAdam value of 3.

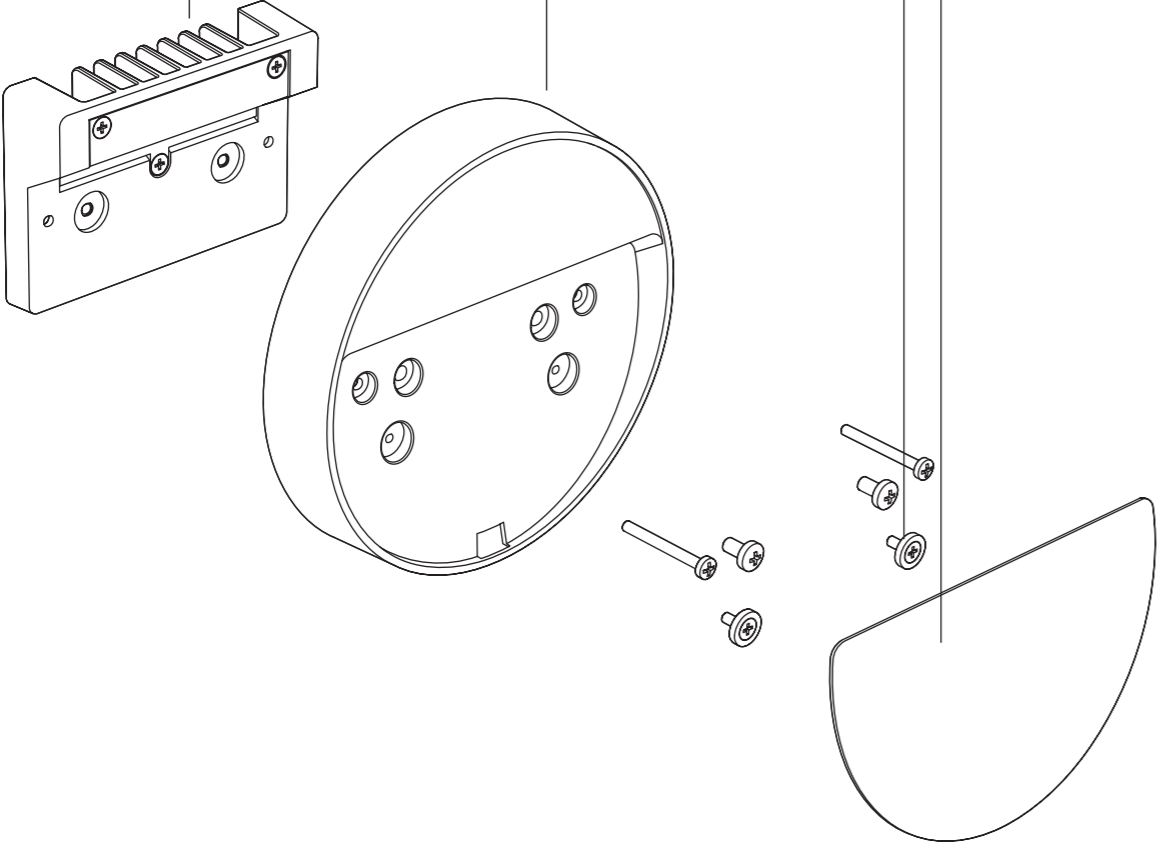
Construction detailed view

LED engine compatible with standard junction box (FORMA 1 with size 503 and FORMA 2 with size 506)

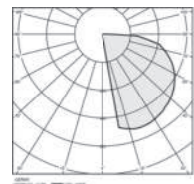
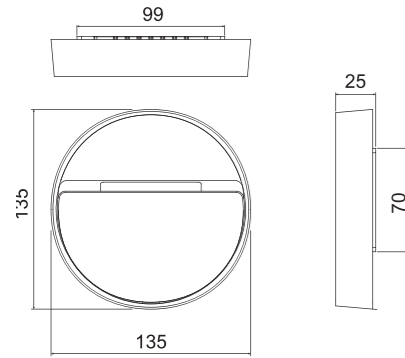
Modular concept. The square and round screens are compatible with the same LED engine

Magnetic fixing

The reflector is customizable (can be ordered separately)



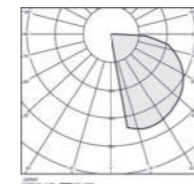
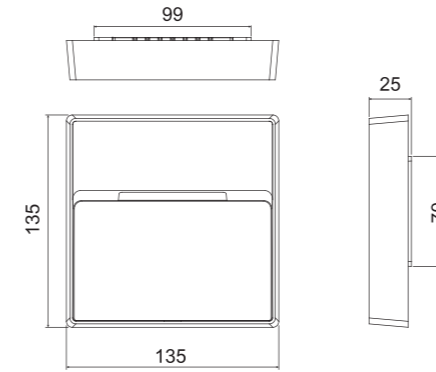
Forma 1.0



A26°

Source type	SMD LED
CCT	2700K 3000K 4000K
CRI	>90
Step MacAdam	3
Lumen output	up to 389 lm
Beam angle	A26°
Optical optional	None
LED Lifetime	L80 B10 50.000h
IP rating	IP65
IK rating	IK08
Type of finishing	Epoxy polyester powder coating
Finishing colour	Anthracite RAL7016 White RAL9003 Corten Black RAL9005 Paintable primer Green RAL6009
Body material	Die-cast aluminium EN AB46100
Diffuser material	UV-stabilised polycarbonate
Diffuser thickness	2mm
ISO 9223 class	C5
Operating temperature	-20°C / +50° C
Power	5W
Input power type	Constant voltage 24V
Power supply	Remote
Insulation class	Class III
Dimmable	Yes
Cable type	FR5FOEM7-AD8 2x0,5 mm ²
Electrical connection	Parallel
Idroskud® protection	Yes

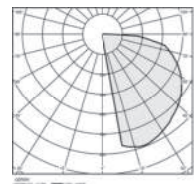
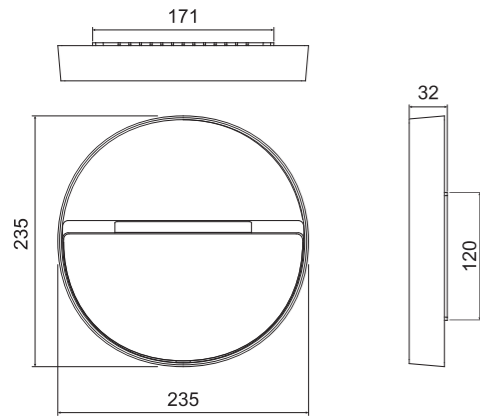
Forma 1.1



A26°

Source type	SMD LED
CCT	2700K 3000K 4000K
CRI	>90
Step MacAdam	3
Lumen output	up to 355 lm
Beam angle	A26°
Optical optional	None
LED Lifetime	L80 B10 50.000h
IP rating	IP65
IK rating	IK08
Type of finishing	Epoxy polyester powder coating
Finishing colour	Anthracite RAL7016 White RAL9003 Corten Black RAL9005 Paintable primer Green RAL6009
Body material	Die-cast aluminium EN AB46100
Diffuser material	UV-stabilised polycarbonate
Diffuser thickness	2mm
ISO 9223 class	C5
Operating temperature	-20°C / +50° C
Power	5W
Input power type	Constant voltage 24V
Power supply	Remote
Insulation class	Class III
Dimmable	Yes
Cable type	FR5FOEM7-AD8 2x0,5 mm ²
Electrical connection	Parallel
Idroskud® protection	Yes

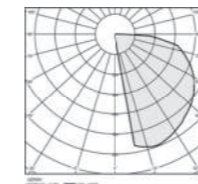
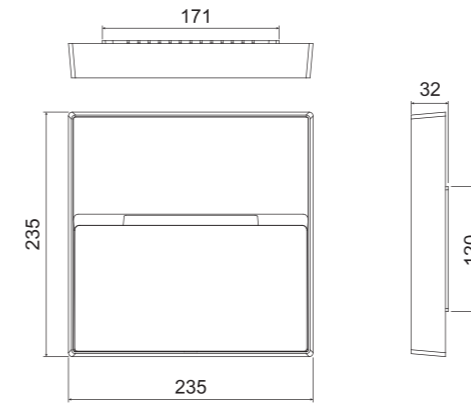
Forma 2.0



A26°

Source type	SMD LED
CCT	2700K 3000K 4000K
CRI	>90
Step MacAdam	3
Lumen output	up to 758 lm
Beam angle	A26°
Optical optional	None
LED Lifetime	L80 B10 50.000h
IP rating	IP65
IK rating	IK08
Type of finishing	Epoxy polyester powder coating
Finishing colour	Anthracite RAL7016 White RAL9003 Corten Black RAL9005 Paintable primer Green RAL6009
Body material	Die-cast aluminium EN AB46100
Diffuser material	UV-stabilised polycarbonate
Diffuser thickness	2mm
ISO 9223 class	C5
Operating temperature	-20°C / +50° C
Power	10W
Input power type	Constant voltage 24V
Power supply	Remote
Insulation class	Class III
Dimmable	Yes
Cable type	FR5FOEM7-AD8 2x0,5 mm ²
Electrical connection	Parallel
Idroskud® protection	Yes

Forma 2.1



A26°

Source type	SMD LED
CCT	2700K 3000K 4000K
CRI	>90
Step MacAdam	3
Lumen output	up to 725 lm
Beam angle	A26°
Optical optional	None
LED Lifetime	L80 B10 50.000h
IP rating	IP65
IK rating	IK08
Type of finishing	Epoxy polyester powder coating
Finishing colour	Anthracite RAL7016 White RAL9003 Corten Black RAL9005 Paintable primer Green RAL6009
Body material	Die-cast aluminium EN AB46100
Diffuser material	UV-stabilised polycarbonate
Diffuser thickness	2mm
ISO 9223 class	C5
Operating temperature	-20°C / +50° C
Power	10W
Input power type	Constant voltage 24V
Power supply	Remote
Insulation class	Class III
Dimmable	Yes
Cable type	FR5FOEM7-AD8 2x0,5 mm ²
Electrical connection	Parallel
Idroskud® protection	Yes

Accessories

Type	Model	Code	Description
Cover	FORMA 1.0	FRM01ZZZ1CTZ00	Cover Corten
Cover	FORMA 1.0	FRM01ZZZ1E0Z00	Cover GR6009
Cover	FORMA 1.0	FRM01ZZZ1G0Z00	Cover AN7016
Cover	FORMA 1.0	FRM01ZZZ1PRZ00	Cover Primer
Cover	FORMA 1.0	FRM01ZZZ1W0Z00	Cover WH9003
Reflector	FORMA 1.0	FRM01ZZZ2CTZ00	Reflector Corten
Reflector	FORMA 1.0	FRM01ZZZ2E0Z00	Reflector GR6009
Reflector	FORMA 1.0	FRM01ZZZ2G0Z00	Reflector AN7016
Reflector	FORMA 1.0	FRM01ZZZ2PRZ00	Reflector Primer
Reflector	FORMA 1.0	FRM01ZZZ2W0Z00	Reflector WH9003
Cover	FORMA 1.1	FRM02ZZZ1CTZ00	Cover Corten
Cover	FORMA 1.1	FRM02ZZZ1E0Z00	Cover GR6009
Cover	FORMA 1.1	FRM02ZZZ1G0Z00	Cover AN7016
Cover	FORMA 1.1	FRM02ZZZ1PRZ00	Cover Primer
Cover	FORMA 1.1	FRM02ZZZ1W0Z00	Cover WH9003
Reflector	FORMA 1.1	FRM02ZZZ2CTZ00	Reflector Corten
Reflector	FORMA 1.1	FRM02ZZZ2E0Z00	Reflector GR6009
Reflector	FORMA 1.1	FRM02ZZZ2G0Z00	Reflector AN7016
Reflector	FORMA 1.1	FRM02ZZZ2PRZ00	Reflector Primer
Reflector	FORMA 1.1	FRM02ZZZ2W0Z00	Reflector WH9003
LED engine	FORMA 1.0 / 1.1	FRM10CCZ000A00	LED engine size 1 2700K
LED engine	FORMA 1.0 / 1.1	FRM10DCZ000A00	LED engine size 1 3000K
LED engine	FORMA 1.0 / 1.1	FRM10FCZ000A00	LED engine size 1 4000K
Cover	FORMA 2.0	FRM04ZZZ1CTZ00	Cover Corten
Cover	FORMA 2.0	FRM04ZZZ1E0Z00	Cover GR6009
Cover	FORMA 2.0	FRM04ZZZ1G0Z00	Cover AN7016
Cover	FORMA 2.0	FRM04ZZZ1PRZ00	Cover Primer
Cover	FORMA 2.0	FRM04ZZZ1W0Z00	Cover WH9003
Reflector	FORMA 2.0	FRM04ZZZ2CTZ00	Reflector Corten
Reflector	FORMA 2.0	FRM04ZZZ2E0Z00	Reflector GR6009
Reflector	FORMA 2.0	FRM04ZZZ2G0Z00	Reflector AN7016
Reflector	FORMA 2.0	FRM04ZZZ2PRZ00	Reflector Primer
Reflector	FORMA 2.0	FRM04ZZZ2W0Z00	Reflector WH9003
Cover	FORMA 2.1	FRM05ZZZ1CTZ00	Cover Corten
Cover	FORMA 2.1	FRM05ZZZ1E0Z00	Cover GR6009
Cover	FORMA 2.1	FRM05ZZZ1G0Z00	Cover AN7016
Cover	FORMA 2.1	FRM05ZZZ1PRZ00	Cover Primer
Cover	FORMA 2.1	FRM05ZZZ1W0Z00	Cover WH9003
Reflector	FORMA 2.1	FRM05ZZZ2CTZ00	Reflector Corten
Reflector	FORMA 2.1	FRM05ZZZ2E0Z00	Reflector GR6009
Reflector	FORMA 2.1	FRM05ZZZ2G0Z00	Reflector AN7016
Reflector	FORMA 2.1	FRM05ZZZ2PRZ00	Reflector Primer
Reflector	FORMA 2.1	FRM05ZZZ2W0Z00	Reflector WH9003
LED engine	FORMA 2.0 / 2.1	FRM20CCZ000A00	LED engine size 2 2700K
LED engine	FORMA 2.0 / 2.1	FRM20DCZ000A00	LED engine size 2 3000K
LED engine	FORMA 2.0 / 2.1	FRM20FCZ000A00	LED engine size 2 4000K

Code configurator

Model	CCT	CRI	Beam angle	Optical options	Finishing	Cable length	Version
FRM01 FORMA 1.0	C 2700K D 3000K F 4000K	C CRI > 90	Z A26°	0 None	CT Corten E0 Green RAL6009 G0 Anthracite RAL7016 PR Paintable primer W0 White RAL9003	A 0,4 m	00 Standard
FRM02 FORMA 1.1	C 2700K D 3000K F 4000K	C CRI > 90	Z A26°	0 None	CT Corten E0 Green RAL6009 G0 Anthracite RAL7016 PR Paintable primer W0 White RAL9003	A 0,4 m	00 Standard
FRM04 FORMA 2.0	C 2700K D 3000K F 4000K	C CRI > 90	Z A26°	0 None	CT Corten E0 Green RAL6009 G0 Anthracite RAL7016 PR Paintable primer W0 White RAL9003	A 0,4 m	00 Standard
FRM05 FORMA 2.1	C 2700K D 3000K F 4000K	C CRI > 90	Z A26°	0 None	CT Corten E0 Green RAL6009 G0 Anthracite RAL7016 PR Paintable primer W0 White RAL9003	A 0,4 m	00 Standard
Configuration example							
FRM01	C	C	Z	0	CT	A	00
FRM01CCZ0CTA00 - FORMA 1.0 5W Corten A25° 2700K 24V							

Power supplies

Consult the power supply table on the Mizar website in the Download section



Type	Model	Code	Description
Power supply	FORMA 1.0 / 1.1 / 2.0 / 2.1	MID0019	Power supply DC 24V 14,4W 600mA IP67 ON/OFF
Power supply	FORMA 1.0 / 1.1 / 2.0 / 2.1	MID0020	Power supply DC 24V 36W 1,5A IP67 ON/OFF
Power supply	FORMA 1.0 / 1.1 / 2.0 / 2.1	MID0021	Power supply DC 24V 24W 1A IP67 DALI





MIZAR
a brand of ReeR spa

Via Carcano, 32
10153 Turin - Italy

mizar.it
info@mizar.it