



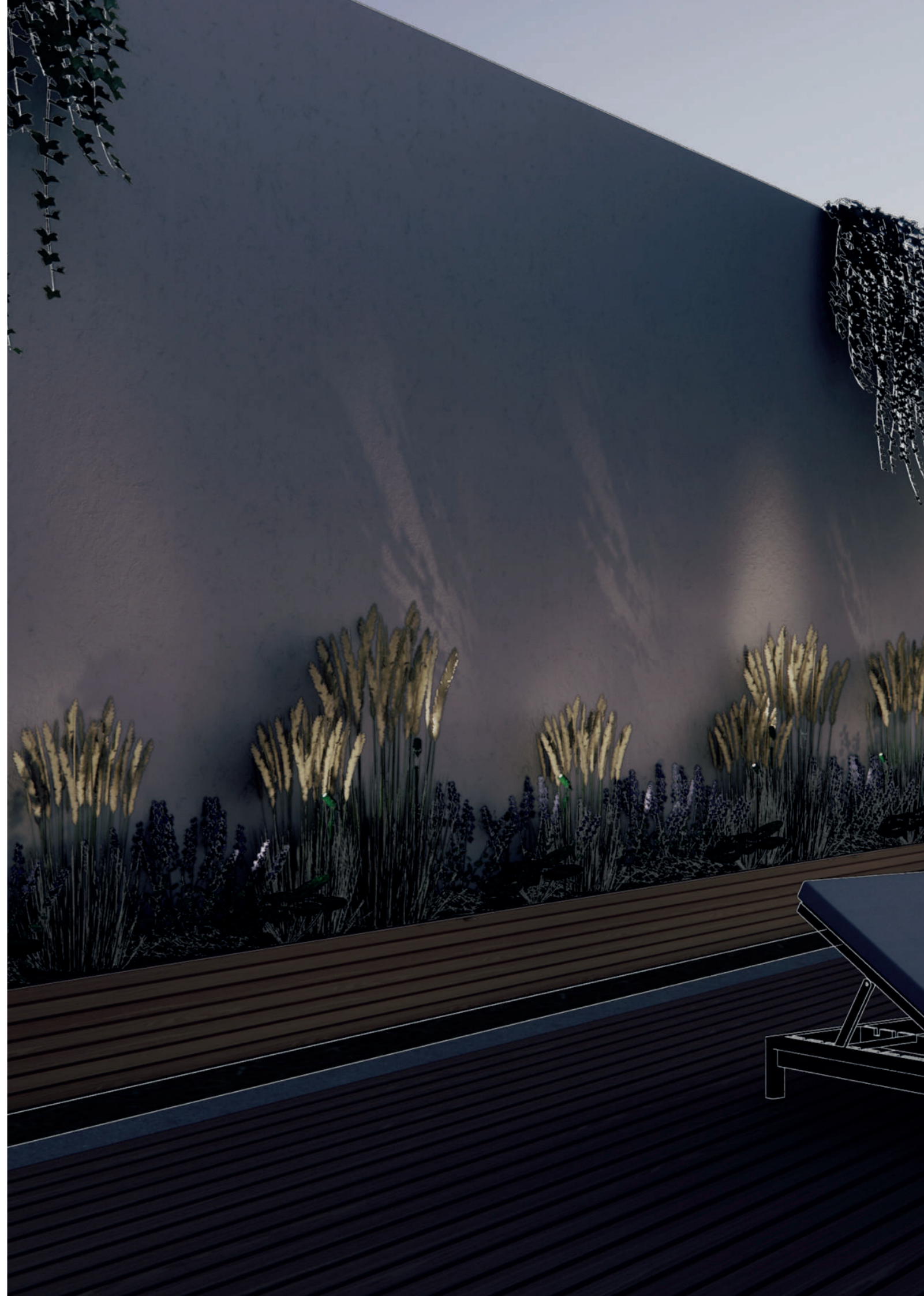
mizar

IRIS

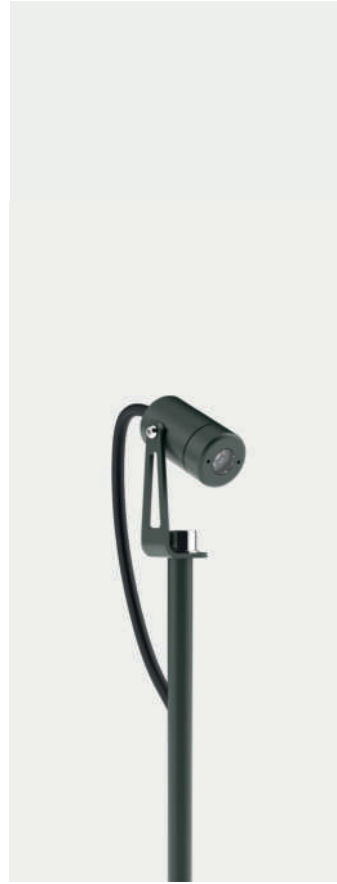
Iris

[ˈi:ris]

IRIS, a family of compact, spike-mounted floodlights, designed to blend perfectly into nature, allowing the lighting effects to highlight the textures of leaves and the veins of plant stems. Featuring long stems, all with a RAL6009 green finish, IRIS fixtures blend perfectly into vegetation. With a wide choice of optics and color temperatures, IRIS offers endless possibilities for creating extraordinary effects for outdoor green areas.

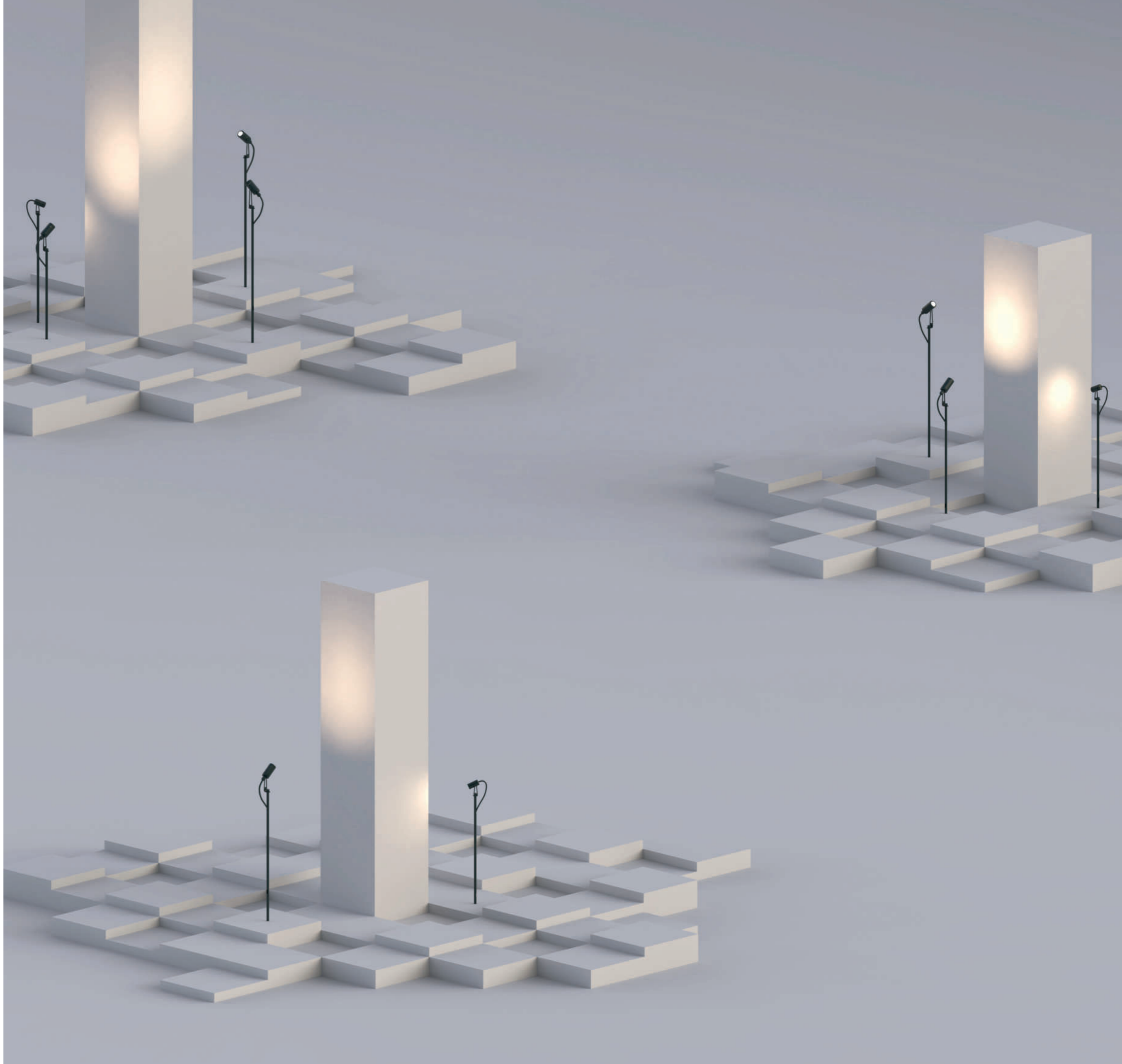


Iris



Iris 1.0

Iris 2.0



Iris / Product features



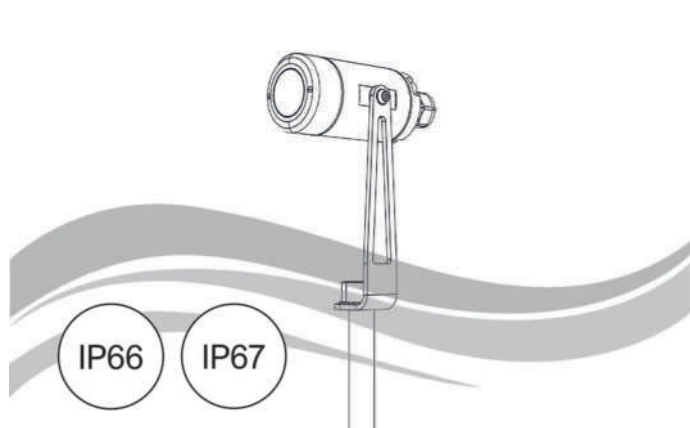
Construction quality as the first goal

At MIZAR we believe that one of the first characteristics of a "Made in Italy" product is an excellent build quality. IRIS are turned from solid, anodized Anticorodal 6082 aluminum and coated with a protective primer, followed by epoxy polyester powder painting.



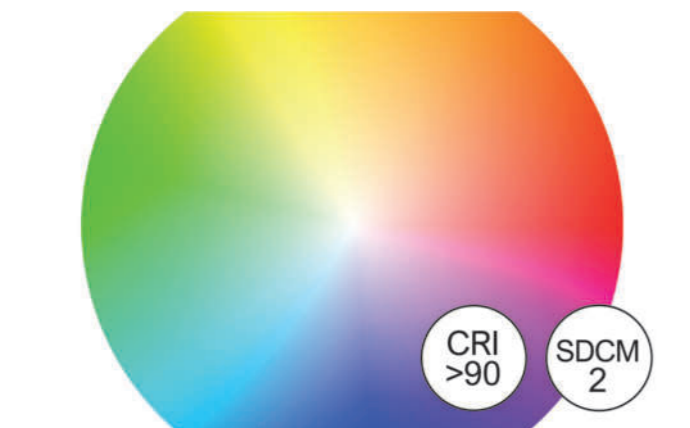
Corrosion resistance at the highest level

The care taken in the design and choice of materials enables the highest classes of the international ISO 9223 standard to be achieved. All IRIS are rated C5 ("Very High").



Highest degrees of protection

IRIS are fully protected against the ingress of any type of dust (IP 6X) and protected against temporary immersion for up to 30 minutes at a depth of 1 meter (IP X7). The products are also tested against high-pressure water jets (IP X6), 100 liters per minute, at a pressure of 100 kPa at a distance of 3 m.



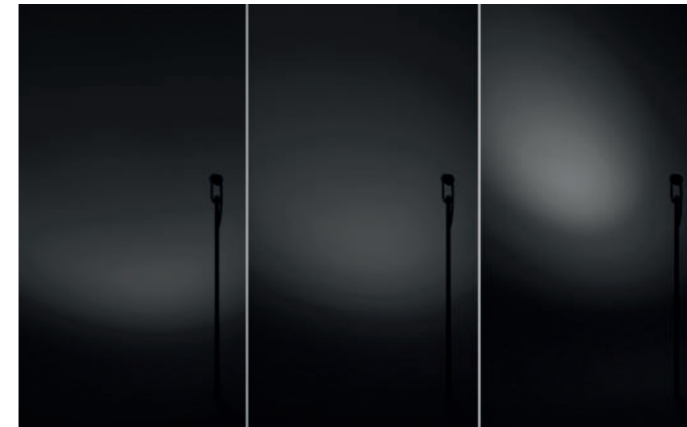
Faithful color reproduction

The IRIS series products are equipped with a range of top-quality LED light sources. Colour rendering index (CRI) > 90. They also offer excellent colour temperature consistency, with a Step MacAdam 2 value.



IdroSkud®

Innovative Mizar exclusive patent to protect electronic components from voltage spikes, polarity reversal, moisture or water infiltrations through the power cable.



Wide range of optics

All IRIS can be equipped with narrow, medium or wide optics. Maximum lighting design flexibility.

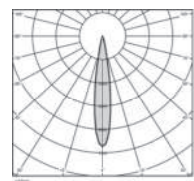
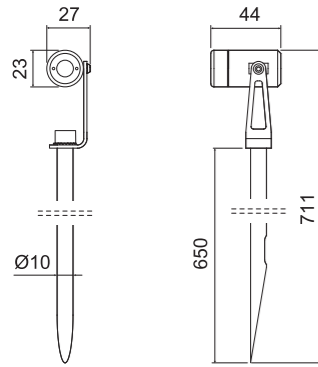


Wide choice of color temperatures

The IRIS series is offered with a wide choice of colour temperatures: 2700K, 3000K and 4000K. In addition – on request – versions with an extremely warm colour temperature (2200 K) are available.

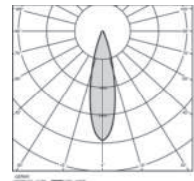


Iris 1.0

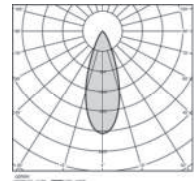


15°

Source type	single power-LED
CCT	2700K 3000K 4000K
CRI	>90
Step MacAdam	2
Lumen output	up to 71 lm
Beam angle	15° 25° 40°
Optical optional	None
LED Lifetime	L80 B10 50.000h
IP rating	IP66 / 67
IK rating	IK09
Type of finishing	Epoxy polyester powder coating
Finishing colour	Green RAL6009
Bezel material	Anodized aluminium anticorodal 6082
Body material	Anodized aluminium anticorodal 6082
Bracket material	Shot peened stainless steel 316L
Diffuser material	Extra-clear tempered glass
Diffuser thickness	4mm
ISO 9223 class	C5
Operating temperature	-20°C / +50° C
Power	1W
Input power type	Constant voltage 24V
Power supply	Remote
Insulation class	Class III
Dimmable	Yes
Cable type	FR5FOEM7-AD8 2x0,5 mm ²
Electrical connection	Parallel
Idroskud® protection	Yes

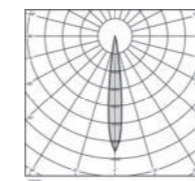
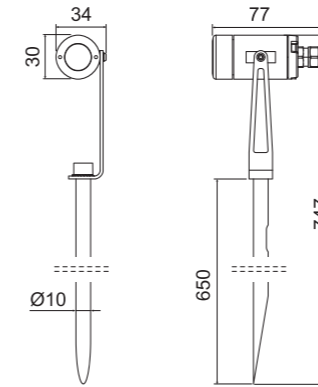


25°

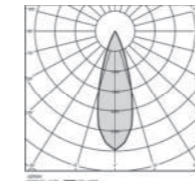


40°

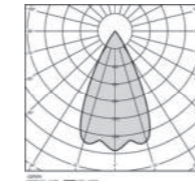
Iris 2.0



10°



36°



60°

Source type	single power-LED
CCT	2700K 3000K 4000K
CRI	>90
Step MacAdam	2
Lumen output	up to 99 lm
Beam angle	10° 36° 60°
Optical optional	None Honeycomb
LED Lifetime	L80 B10 50.000h
IP rating	IP66 / 67
IK rating	IK07
Type of finishing	Epoxy polyester powder coating
Finishing colour	Green RAL6009
Bezel material	Anodized aluminium anticorodal 6082
Body material	Anodized aluminium anticorodal 6082
Bracket material	Shot peened stainless steel 316L
Diffuser material	Extra-clear tempered glass
Diffuser thickness	6mm
ISO 9223 class	C5
Operating temperature	-20°C / +50° C
Power	2W
Input power type	Constant voltage 24V
Power supply	Remote
Insulation class	Class III
Dimmable	Yes
Cable type	H05RN-F 2x0,75 mm ²
Electrical connection	Parallel
Idroskud® protection	Yes

Power supplies

Consult the power supply table on the Mizar website in the Download section



Type	Model	Code	Description
Power supply	IRIS 1.0 / 2.0	MID0019	Power supply DC 24V 14,4W 600mA IP67 ON/OFF
Power supply	IRIS 1.0 / 2.0	MID0020	Power supply DC 24V 36W 1,5A IP67 ON/OFF
Power supply	IRIS 1.0 / 2.0	MID0021	Power supply DC 24V 24W 1A IP67 DALI

Code configurator

Model	CCT	CRI	Beam angle	Optical options	Finishing	Cable length	Version
RRS01 IRIS 1.0	C 2700K D 3000K F 4000K	C CRI > 90	S 15° M 25° L 40°	0 None	E0 Green RAL6009	C 1,5 m	00 Standard
RRS02 IRIS 2.0	C 2700K D 3000K F 4000K	C CRI > 90	S 10° M 36° L 60°	0 None 1 Honeycomb	E0 Green RAL6009	C 1,5 m	00 Standard
Configuration example							
RRS01	C	C	S	0	E0	C	00
RRS01CCS0E0C00 - IRIS 1.0 650mm 1W GR6009 15° 2700K 24V 1,5m							





MIZAR
a brand of ReeR spa

Via Carcano, 32
10153 Turin - Italy

mizar.it
info@mizar.it