



mizar

LINEO

# Lineo

[ˈli:ne:ɔ]

LINEO the iconic linear recessed fixture with a strong visual impact, designed to define paths and spaces with continuous lighting. Visual comfort is guaranteed thanks to its diffuse PMMA optics integrated into the profile, which ensures the perfect combination of light and architecture, adding charm to walkways, flowerbeds and facades. Drive-over, modular and dimmable, also available with an RGBW source, it flexibly adapts to both public and private contexts.



# Lineo



Lineo 1.0

Lineo 1.1



Lineo 1.2

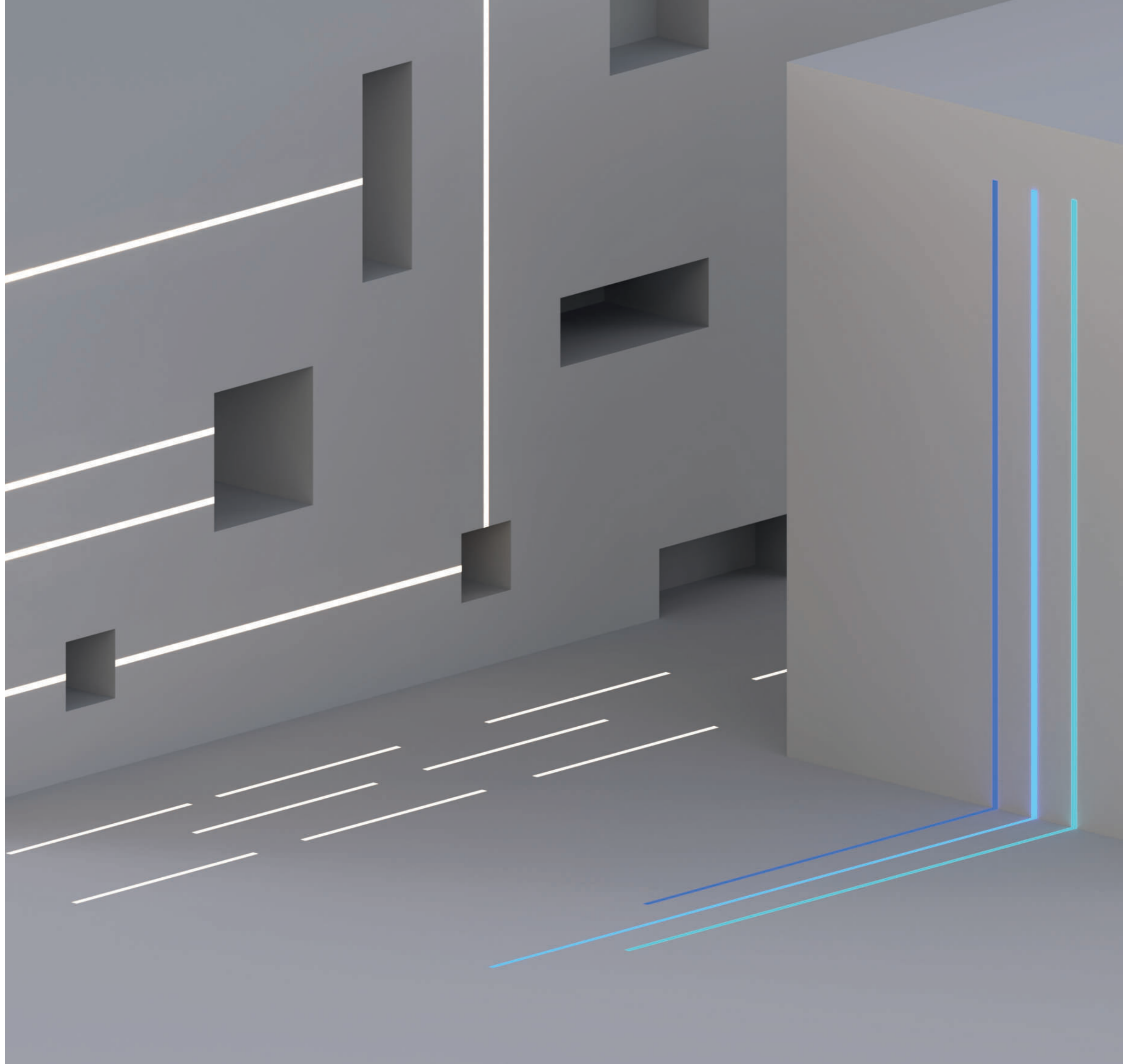
Lineo 2.0



Lineo 2.1

Lineo 2.2

# mizar



# Lineo / Product features



## Construction quality as the first goal

At MIZAR, we believe that one of the first characteristics of a "Made in Italy" product is excellent build quality. The body of the LINEO is created with a double PMMA extrusion, which allows the opal diffuser and the transparent body to be integrated in a single block. This makes the product extremely resistant, IK10 and drive-over up to 2000kg.



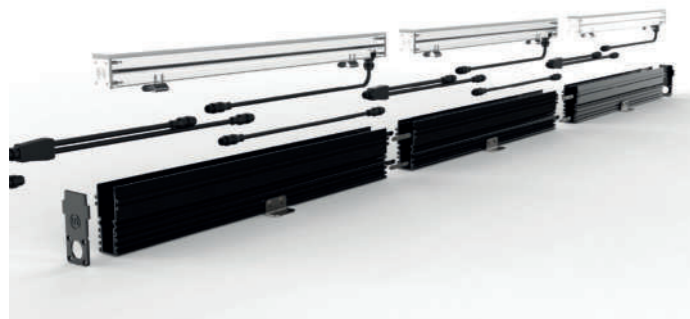
## Corrosion resistance at the highest level

The care taken in the design and choice of materials makes it possible to achieve the highest classes of the international ISO 9223 standard. All LINEO models are rated CX ("Extreme").



## Designed to be drive-over

The LINEO is a product designed to be certified in driveway areas. Tested to withstand up to 20 kN static load (2000 kg), 5kN in acceleration and torsion (500 kg).



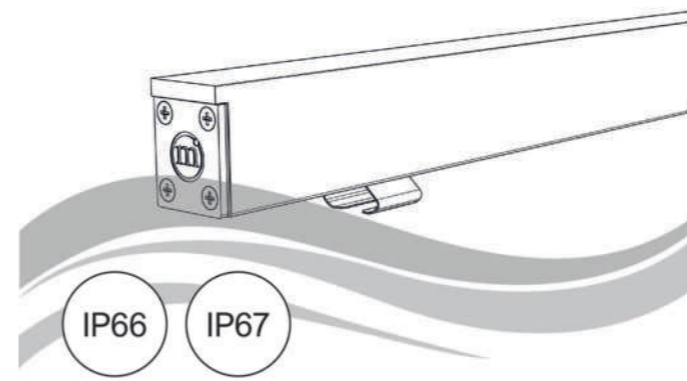
## Limitless modularity

LINEO is a product designed to be installed in a continuous, seamless line. The series is complete with modular outercases, both for installation on the ground and on plasterboard. Accessories for continuous line wiring, such as extension cables and splitters, are also provided.



## IdroSkud®

Innovative Mizar exclusive patent to protect electronic components from voltage spikes, polarity reversal, moisture or water infiltrations through the power cable.



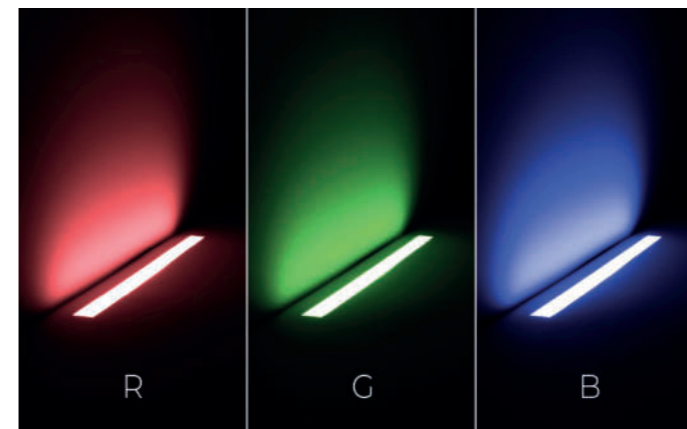
## Highest degrees of protection

LINEO are fully protected against the ingress of any kind of dust (IP 6X) and protected against temporary immersion – up to 30 minutes – to a depth of 1 metre (IP X7). The products are also tested against high-pressure water jets (IP X6). 100 litres per minute, at a pressure of 100 kPa, at a distance of 3 m.



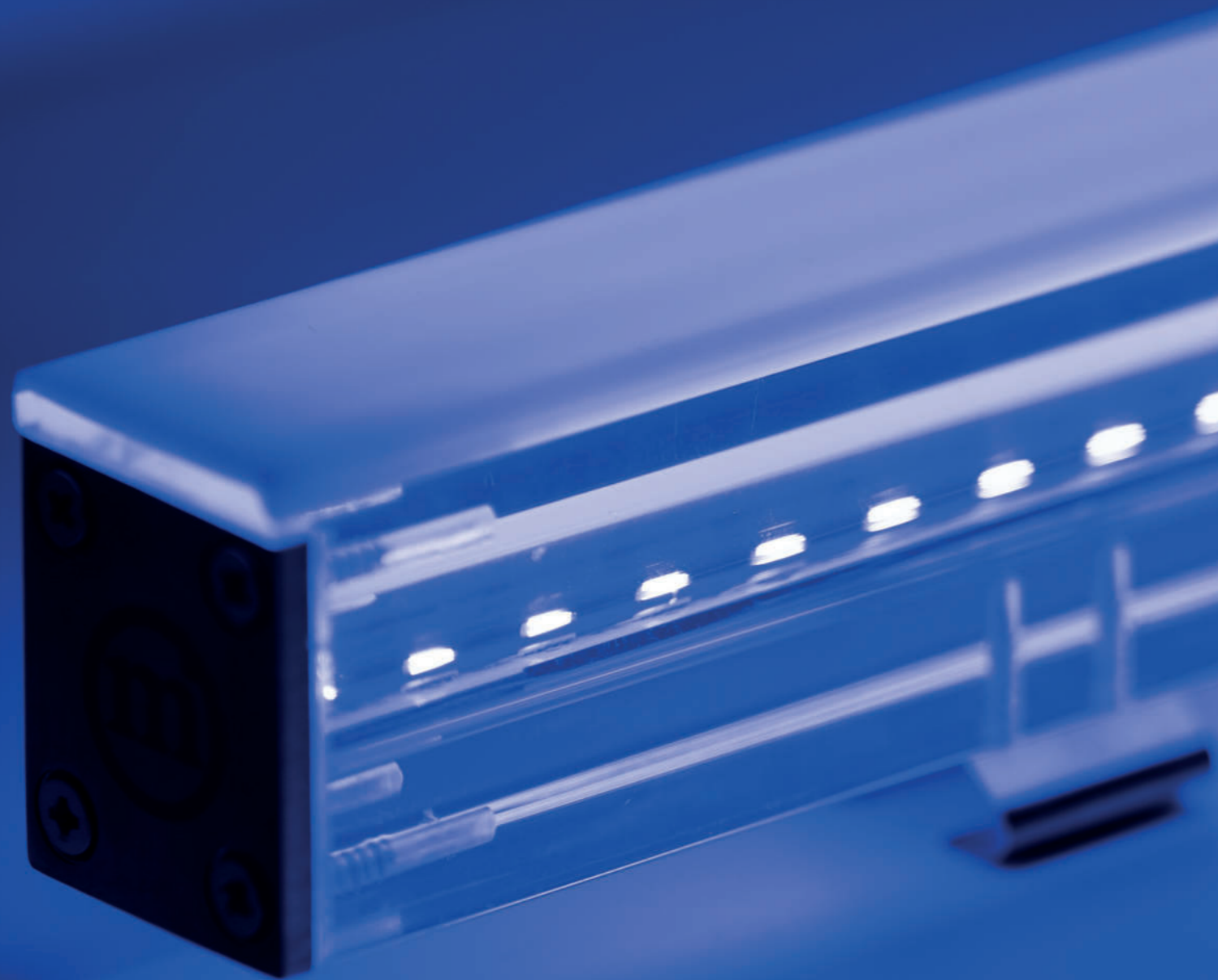
## Perfect light uniformity

The opal PMMA diffuser allows for maximum homogeneity of light distribution, also making the LINEO body itself perfectly backlit, with no visible shadows.

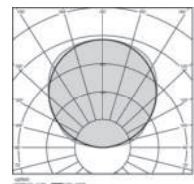
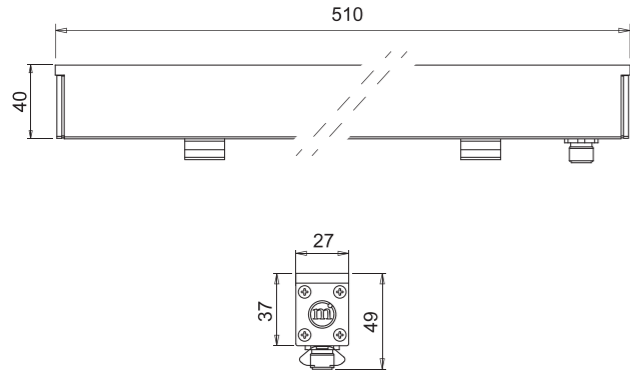


## Wide choice of color temperatures and RGBW dynamic scenarios

The LINEO series is offered with different color temperatures: 2700, 3000 and 4000 Kelvin. In addition – very warm color temperature versions 2200 K are available upon request. The LINEO design is well suited for decorative and modular installations. LINEO 2.0, 2.1 and 2.2 are equipped with RGBW sources, controlled in PWM.



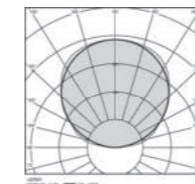
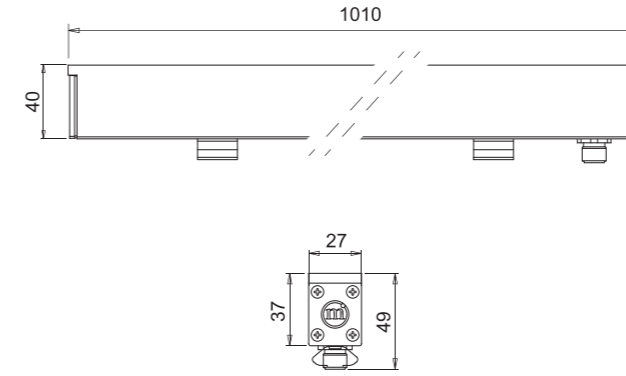
## Lineo 1.0



Diffused

Source type	LED SMD 3014
CCT	2700K 3000K 4000K
CRI	>80
Step MacAdam	3
Lumen output	up to 173 lm
Beam angle	Diffused 120°
Optical optional	None
LED Lifetime	L80 B10 50.000h
IP rating	IP66 / 67
IK rating	IK10
Body material	Transparent PMMA
Diffuser material	Opal PMMA
ISO 9223 class	CX
Operating temperature	-20°C / +50° C
Maximum static load	20kN (2000kg)
Walk-over	Yes
Drive-over	Yes
Power	6W
Input power type	Constant voltage 24V
Power supply	Remote
Insulation class	Class III
Dimmable	Yes
Connector type	M12 five poles IP67
Electrical connection	Parallel
Idroskud® protection	Yes

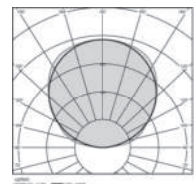
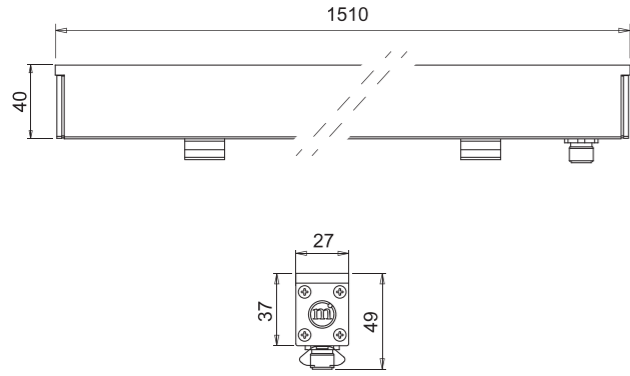
## Lineo 1.1



Diffused

Source type	LED SMD 3014
CCT	2700K 3000K 4000K
CRI	>80
Step MacAdam	3
Lumen output	up to 345 lm
Beam angle	Diffused 120°
Optical optional	None
LED Lifetime	L80 B10 50.000h
IP rating	IP66 / 67
IK rating	IK10
Body material	Transparent PMMA
Diffuser material	Opal PMMA
ISO 9223 class	CX
Operating temperature	-20°C / +50° C
Maximum static load	20kN (2000kg)
Walk-over	Yes
Drive-over	Yes
Power	12W
Input power type	Constant voltage 24V
Power supply	Remote
Insulation class	Class III
Dimmable	Yes
Connector type	M12 five poles IP67
Electrical connection	Parallel
Idroskud® protection	Yes

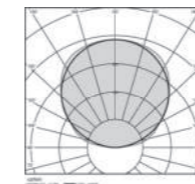
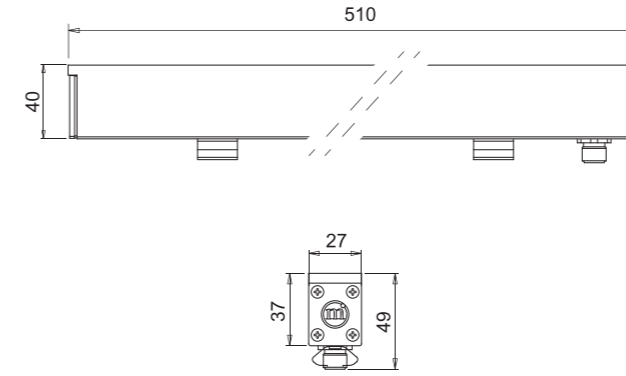
## Lineo 1.2



Diffused

Source type	LED SMD 3014
CCT	2700K 3000K 4000K
CRI	>80
Step MacAdam	3
Lumen output	up to 517 lm
Beam angle	Diffused 120°
Optical optional	None
LED Lifetime	L80 B10 50.000h
IP rating	IP66 / 67
IK rating	IK10
Body material	Transparent PMMA
Diffuser material	Opal PMMA
ISO 9223 class	CX
Operating temperature	-20°C / +50° C
Maximum static load	20kN (2000kg)
Walk-over	Yes
Drive-over	Yes
Power	18W
Input power type	Constant voltage 24V
Power supply	Remote
Insulation class	Class III
Dimmable	Yes
Connector type	M12 five poles IP67
Electrical connection	Parallel
Idroskud® protection	Yes

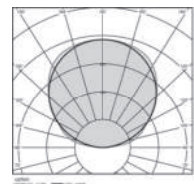
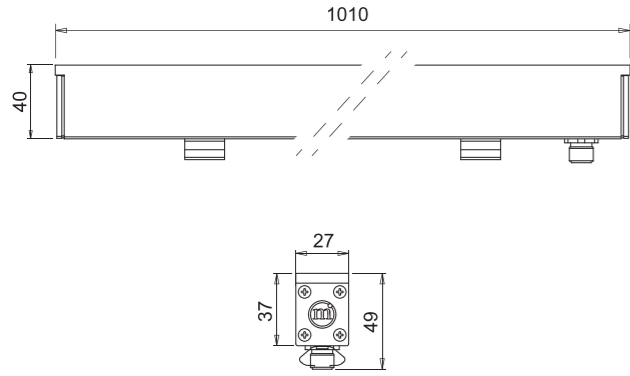
## Lineo 2.0



Diffused

Source type	LED SMD 3014 + LED SMD 3528
CCT	RGBW (4000K)
CRI	>80
Step MacAdam	3
Lumen output	up to 197 lm
Beam angle	Diffused 120°
Optical optional	None
LED Lifetime	L80 B10 50.000h
IP rating	IP66 / 67
IK rating	IK10
Body material	Transparent PMMA
Diffuser material	Opal PMMA
ISO 9223 class	CX
Operating temperature	-20°C / +50° C
Maximum static load	20kN (2000kg)
Walk-over	Yes
Drive-over	Yes
Power	12W
Input power type	Constant voltage 24V
Power supply	Remote
Insulation class	Class III
Dimmable	Yes (PWM)
Connector type	M12 five poles IP67
Electrical connection	Parallel
Idroskud® protection	Yes

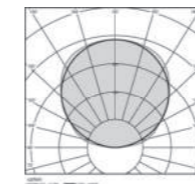
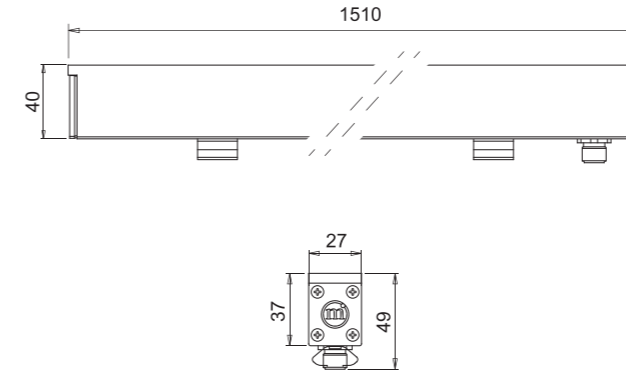
## Lineo 2.1



Diffused

Source type	LED SMD 3014 + LED SMD 3528
CCT	RGBW (4000K)
CRI	>80
Step MacAdam	3
Lumen output	up to 394 lm
Beam angle	Diffused 120°
Optical optional	None
LED Lifetime	L80 B10 50.000h
IP rating	IP66 / 67
IK rating	IK10
Body material	Transparent PMMA
Diffuser material	Opal PMMA
ISO 9223 class	CX
Operating temperature	-20°C / +50° C
Maximum static load	20kN (2000kg)
Walk-over	Yes
Drive-over	Yes
Power	24W
Input power type	Constant voltage 24V
Power supply	Remote
Insulation class	Class III
Dimmable	Yes (PWM)
Connector type	M12 five poles IP67
Electrical connection	Parallel
Idroskud® protection	Yes

## Lineo 2.2



Diffused

Source type	LED SMD 3014 + LED SMD 3528
CCT	RGBW (4000K)
CRI	>80
Step MacAdam	3
Lumen output	up to 591 lm
Beam angle	Diffused 120°
Optical optional	None
LED Lifetime	L80 B10 50.000h
IP rating	IP66 / 67
IK rating	IK10
Body material	Transparent PMMA
Diffuser material	Opal PMMA
ISO 9223 class	CX
Operating temperature	-20°C / +50° C
Maximum static load	20kN (2000kg)
Walk-over	Yes
Drive-over	Yes
Power	36W
Input power type	Constant voltage 24V
Power supply	Remote
Insulation class	Class III
Dimmable	Yes (PWM)
Connector type	M12 five poles IP67
Electrical connection	Parallel
Idroskud® protection	Yes

## Accessories

Type	Model	Code	Description
Recessed box	LINEO 1.0 / 2.0	LNEZZZ000	Ground recessed box (made of PC) 511mm
Recessed box	LINEO 1.1 / 2.1	LNEZZZ001	Ground recessed box (made of PC) 1011mm
Recessed box	LINEO 1.2 / 2.2	LNEZZZ002	Ground recessed box (made of PC) 1511mm
Recessed box	LINEO 1.0 / 2.0	LNEZZZ003	Plasterboard recessed box (made of PC) 511mm
Recessed box	LINEO 1.1 / 2.1	LNEZZZ004	Plasterboard recessed box (made of PC) 1011mm
Recessed box	LINEO 1.2 / 2.2	LNEZZZ005	Plasterboard recessed box (made of PC) 1511mm
Cables	Every model	LNEZZZ012	PVC extension cable M12 5poles 0,5m
Cables	Every model	LNEZZZ013	PVC extension cable M12 5poles 1m
Cables	Every model	LNEZZZ014	PVC extension cable M12 5poles 1,5m
Cables	Every model	LNEZZZ015	PVC extension cable M12 5poles 5m
Cables	Every model	LNEZZZ016	PVC extension cable M12 5poles 10m
Cables	Every model	LNEZZZ017	PVC extension cable M12 5poles 15m
Cables	Every model	LNEZZZ019	PVC splitter 2-ways M12 5poles male-female/female 0,35m
Cables	Every model	LNEZZZ021	PVC input power cable M12 5poles female 1,5m
Mounting kit	Every model	LNEZZZ022	End-caps for ground recessed box
Mounting kit	Every model	LNEZZZ023	End-caps for plasterboard recessed box
Mounting kit	Every model	LNEZZZ024	Fixing brackets for recessed box
Mounting kit	Every model	LNEZZZ025	Coupling brackets for recessed box
Mounting kit	Every model	LNEZZZ026	Spring for luminaire extraction

## Power supplies

Consult the power supply table on the Mizar website in the Download section



Type	Model	Code	Description
Power supply	Every model	MID0028	Power supply DC 24V 70W 2,9A IP67 ON/OFF
Power supply	Every model	MID0029	Power supply DC 24V 150W 6,25A IP67 ON/OFF
Power supply	Every model	MID0030	Power supply DC 24V 120W 5A IP67 DALI2/PWM
Power supply	Every model	MID0031	Power supply DC 24V 200W 5A IP67 DALI2/PWM
Control unit	Lineo 2.0 / 2.1 / 2.2	MID0023	Control unit WT5 5 channels RGBW PWM/WiFi
Remote	Lineo 2.0 / 2.1 / 2.2	MID1000	Remote RT5 RGB+CCT 1 zone RF 2.4GHZ
Touch panel	Lineo 2.0 / 2.1 / 2.2	MID1001	Touch panel da parete TW5-4 RGB+CCT 4 zones

## Code configurator

Model	CCT	CRI	Beam angle	Optical optionals	Finishing	Cable length	Version
LNE00 LINEO 510mm	C 2700K D 3000K F 4000K P RGBW	B CRI > 80	K Diffused	0 None	00 Opal	A 0,4 m	00 Standard
LNE01 LINEO 1010mm	C 2700K D 3000K F 4000K P RGBW	B CRI > 80	K Diffused	0 None	00 Opal	A 0,4 m	00 Standard
LNE02 LINEO 1510mm	C 2700K D 3000K F 4000K P RGBW	B CRI > 80	K Diffused	0 None	00 Opal	A 0,4 m	00 Standard
<b>Configuration example</b>							
LNE00	C	B	K	0	00	A	00
LNE00CBK000A00 - LINEO 1.0 510mm 6W Opal 2700K 24V							





MIZAR  
a brand of ReeR spa

Via Carcano, 32  
10153 Turin - Italy

[mizar.it](http://mizar.it)  
[info@mizar.it](mailto:info@mizar.it)