



mizar

LUCIS BOLLARD

Lucis Bollard

[ˈlu:tʃis] [ˈbɒl.lɑrd]

LUCIS BOLLARD, the combination of simplicity and effectiveness. Available in four different heights, this family of bollards is designed to pleasantly illuminate walkways, paths, gardens, and parks. The extruded aluminum body is protected by a polyester powder epoxy coating that guarantees corrosion resistance equivalent to 1500 hours in salt spray.

C5
ISO9223

IK10

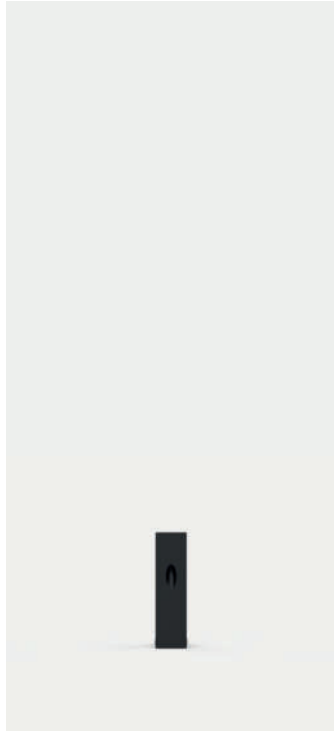
IP66

IP67

IdroSkud



Lucis Bollard



Lucis Bollard 1.0



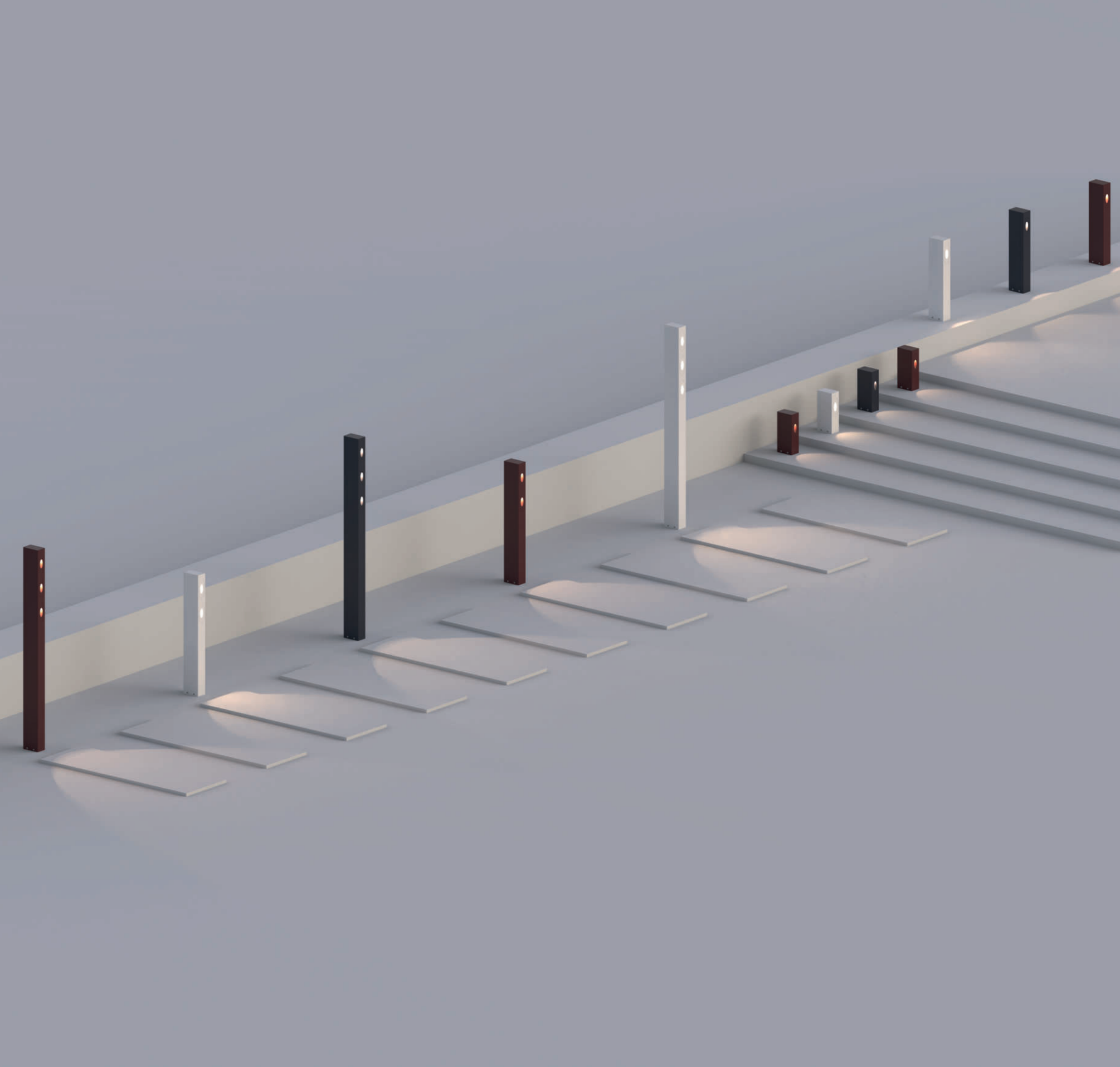
Lucis Bollard 1.1



Lucis Bollard 1.2



Lucis Bollard 1.3



Lucis Bollard / Product features



Suitable for any context

Available in four different heights, LUCIS BOLLARD adapts with versatility to every context of use: from footpaths to gardens, from private entrances to public spaces. One aesthetic, multiple solutions.



Construction quality as the first goal

At MIZAR we think that one of the first features of a "Made in Italy" product is an excellent build quality. The body of the LUCIS BOLLARD is made of 6082 anticorrosive aluminum, extruded. Finishing carried out with primer followed by epoxy polyester powder painting, tested to withstand over 1500h in salt spray. The CNC-machined stainless steel base adds further reliability to the product.

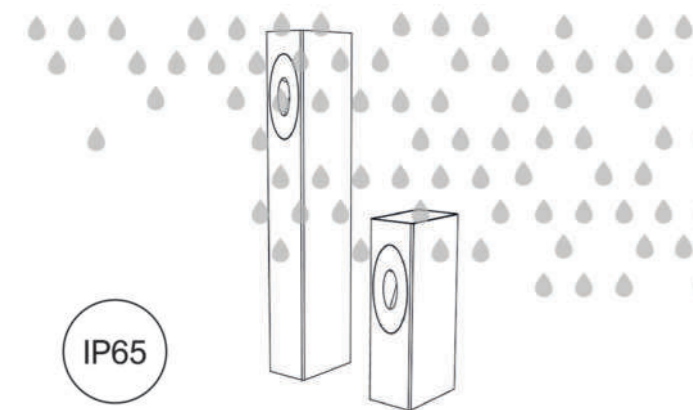


Corrosion resistance at the highest level

The care taken in the design and choice of materials makes it possible to achieve the highest classes of the international ISO 9223 standard. All LUCIS BOLLARD are rated C5 ("Very High").

Highest degrees of protection

LUCIS BOLLARD are fully protected against the ingress of any type of dust (IP 6X). The products are also tested against water jets (IP X5). 12,5 litres per minute, at a pressure of 30 kPa, at a distance of 3 m.



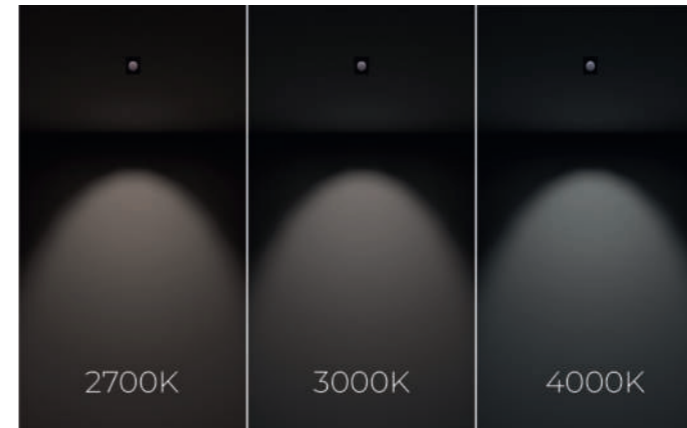
IdroSkud®

Innovative Mizar exclusive patent to protect electronic components from voltage spikes, polarity reversal, moisture or water infiltrations through the power cable.



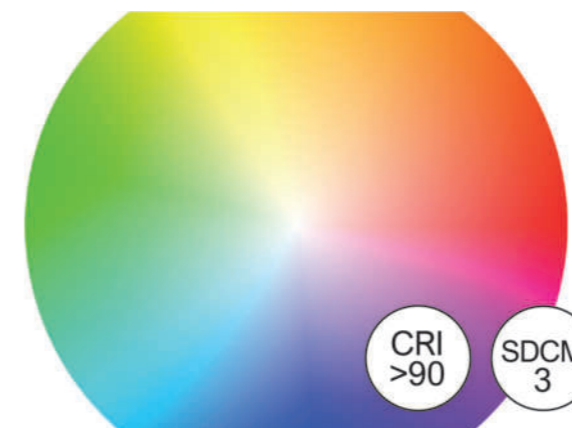
Modular asymmetrical optics

The modular core of LUCIS BOLLARDS allows you to choose the ideal height to make the most of the asymmetry of the optics. In addition – upon request – light source placements can be customized. Possibly placing them on both sides of the bollard as well.



Wide choice of color temperatures

The LUCIS BOLLARD series is offered with a wide choice of colour temperatures: 2700K, 3000K and 4000K. In addition – on request – versions with extremely warm colour temperatures (2200 K) are available.

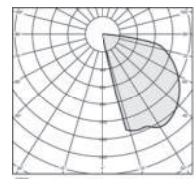
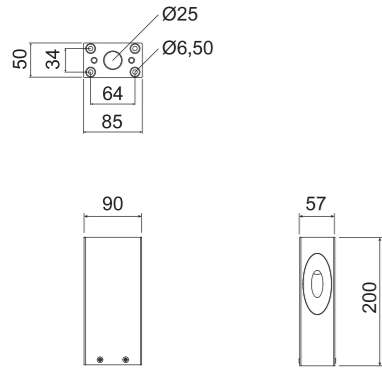


Faithful reproduction of colors

The LUCIS BOLLARD series products are equipped with a range of top-quality LED light sources. Colour rendering index (CRI) > 90. They also offer excellent colour temperature consistency, with a Step MacAdam value of 3.



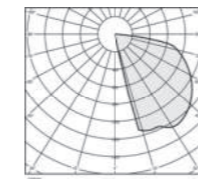
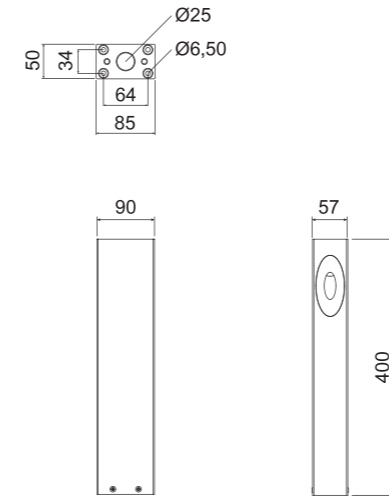
Lucis Bollard 1.0



A34°

Source type	single power-LED
CCT	2700K 3000K 4000K
CRI	>90
Step MacAdam	3
Lumen output	up to 22 lm
Beam angle	A34°
Optical optional	None
LED Lifetime	L80 B10 50.000h
IP rating	IP65
IK rating	IK10
Type of finishing	Epoxy polyester powder coating
Finishing colour	Anthracite RAL7016 White RAL9003 Corten
Body material	Anodized aluminium anticorodal 6082
Diffuser material	Polyurethane resin
ISO 9223 class	C5
Operating temperature	-20°C / +50° C
Power	2W
Input power type	220V AC 50/60 Hz
Power supply	Integrated
Insulation class	Class II
Dimmable	No
Cable type	FR5FOEM7-AD8 2x0,5 mm ²
Idroskud® protection	Yes

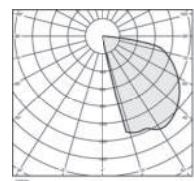
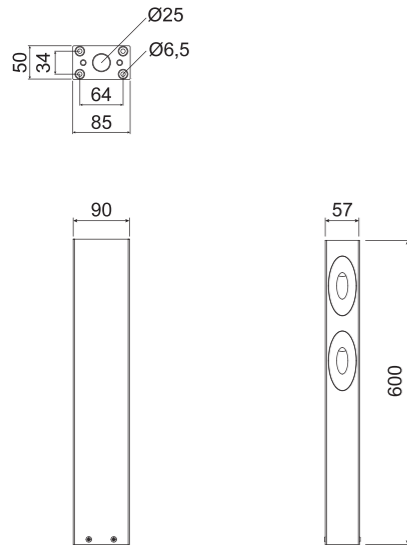
Lucis Bollard 1.1



A34°

Source type	single power-LED
CCT	2700K 3000K 4000K
CRI	>90
Step MacAdam	3
Lumen output	up to 22 lm
Beam angle	A34°
Optical optional	None
LED Lifetime	L80 B10 50.000h
IP rating	IP65
IK rating	IK10
Type of finishing	Epoxy polyester powder coating
Finishing colour	Anthracite RAL7016 White RAL9003 Corten
Body material	Anodized aluminium anticorodal 6082
Diffuser material	Polyurethane resin
ISO 9223 class	C5
Operating temperature	-20°C / +50° C
Power	2W
Input power type	220V AC 50/60 Hz
Power supply	Integrated
Insulation class	Class II
Dimmable	No
Cable type	FR5FOEM7-AD8 2x0,5 mm ²
Idroskud® protection	Yes

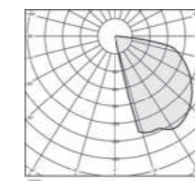
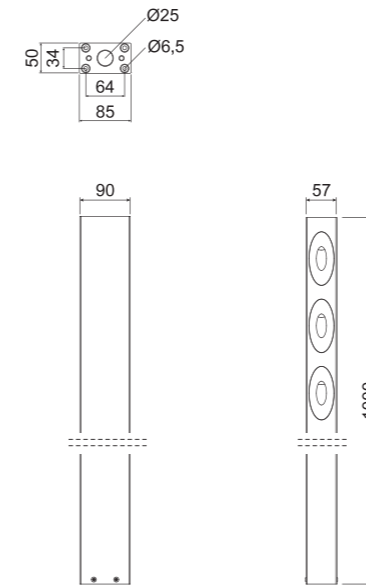
Lucis Bollard 1.2



A34°

Source type	single power-LED
CCT	2700K 3000K 4000K
CRI	>90
Step MacAdam	3
Lumen output	up to 44 lm
Beam angle	A34°
Optical optional	None
LED Lifetime	L80 B10 50.000h
IP rating	IP65
IK rating	IK10
Type of finishing	Epoxy polyester powder coating
Finishing colour	Anthracite RAL7016 White RAL9003 Corten
Body material	Anodized aluminium anticorodal 6082
Diffuser material	Polyurethane resin
ISO 9223 class	C5
Operating temperature	-20°C / +50° C
Power	4W
Input power type	220V AC 50/60 Hz
Power supply	Integrated
Insulation class	Class II
Dimmable	No
Cable type	FR5FOEM7-AD8 2x0,5 mm ²
Idroskud® protection	Yes

Lucis Bollard 1.3



A34°

Source type	single power-LED
CCT	2700K 3000K 4000K
CRI	>90
Step MacAdam	3
Lumen output	up to 66 lm
Beam angle	A34°
Optical optional	None
LED Lifetime	L80 B10 50.000h
IP rating	IP65
IK rating	IK10
Type of finishing	Epoxy polyester powder coating
Finishing colour	Anthracite RAL7016 White RAL9003 Corten
Body material	Anodized aluminium anticorodal 6082
Diffuser material	Polyurethane resin
ISO 9223 class	C5
Operating temperature	-20°C / +50° C
Power	6W
Input power type	220V AC 50/60 Hz
Power supply	Integrated
Insulation class	Class II
Dimmable	No
Cable type	FR5FOEM7-AD8 2x0,5 mm ²
Idroskud® protection	Yes

Accessories

Type	Model	Code	Description
Mounting kit	LUCIS BOLLARD 1.0 / 1.1 / 1.2 / 1.3	LUCZZZ002	Kit jig + screws for ground installation
Mounting kit	LUCIS BOLLARD 1.0 / 1.1 / 1.2 / 1.3	LUCZZZ003	Kit jig + anchor bolts for ground installation

Code configurator

Model	CCT	CRI	Beam angle	Optical optionals	Finishing	Cable length	Version
LUC04 LUCIS BOLLARD 1.0	C 2700K D 3000K F 4000K	C CRI > 90	Z A34°	0 None	CT Corten G0 Anthracite RAL7016 W0 White RAL9003	A 0,15 m	00 Standard
LUC05 LUCIS BOLLARD 1.1	C 2700K D 3000K F 4000K	C CRI > 90	Z A34°	0 None	CT Corten G0 Anthracite RAL7016 W0 White RAL9003	A 0,15 m	00 Standard
LUC06 LUCIS BOLLARD 1.2	C 2700K D 3000K F 4000K	C CRI > 90	Z A34°	0 None	CT Corten G0 Anthracite RAL7016 W0 White RAL9003	A 0,15 m	00 Standard
LUC07 LUCIS BOLLARD 1.3	C 2700K D 3000K F 4000K	C CRI > 90	Z A34°	0 None	CT Corten G0 Anthracite RAL7016 W0 White RAL9003	A 0,15 m	00 Standard
Configuration example							
LUC04	C	C	Z	0	CT	A	00
LUC04CCZ0CTA00 - LUCIS BOLLARD 1.0 2W Corten A34° 2700K 220V							





MIZAR
a brand of ReeR spa

Via Carcano, 32
10153 Turin - Italy

mizar.it
info@mizar.it