



mizar

QUANTUM

# Quantum

['kwan.tum]

QUANTUM, the iconic series of hourglass-shaped lighting fixtures with models suitable for every type of installation: wall-mounted, ceiling-mounted, rigid suspension (“tige”) and floodlight. Designed to be perfectly coordinated in large projects, QUANTUM combines its distinctive style with a wide choice of color temperatures, optics and sizes ensuring versatility and elegance in every application.

C5  
ISO9223

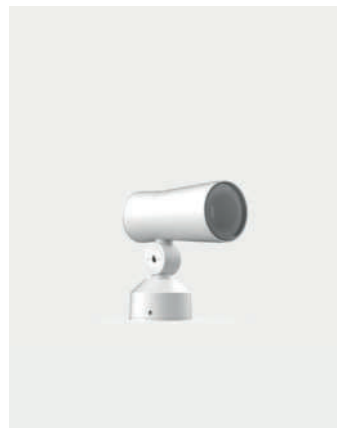
IK06

IP65

DALI



# Quantum



Quantum Flood 1.0



Quantum Flood 2.0



Quantum 1.1



Quantum 1.2



Quantum 2.1



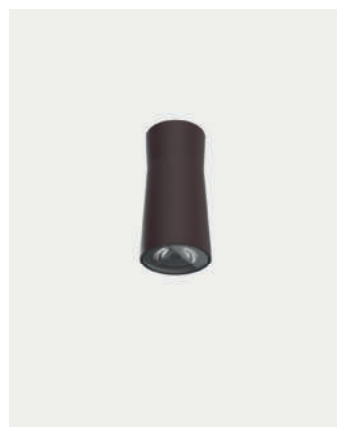
Quantum 2.2



Quantum Tige 1.0 / 1.1



Quantum Tige 2.0 / 2.1



Quantum Ceiling 1.0



Quantum Ceiling 2.0



# Quantum / Product features



## Construction quality as the first goal

At MIZAR we believe that one of the first characteristics of a "Made in Italy" product is an excellent build quality. The QUANTUM body is made of die-cast 6082 anticorrosive aluminium. Finished with primer followed by epoxy polyester powder painting, tested to withstand over 1500h in salt spray. Extra-clear tempered glass diffuser, screen-printed black. Technopolymer TIR optics.



## Corrosion resistance at the highest level

The care taken in the design and choice of materials allows the highest classes of the international ISO 9223 standard to be achieved. All QUANTUMs are classified C5 ("Very High").



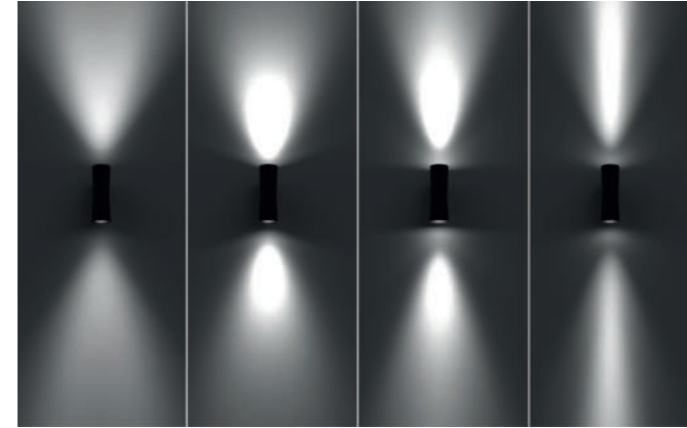
## Chameleon-like

QUANTUM is available in a paintable version. The product is treated with a specific paintable primer, that preserves all its mechanical characteristics, regardless of the subsequent painting. The end user has the possibility of customising the colour of the external finish to his liking.



## Excellent degrees of protection

QUANTUM are fully protected against the ingress of any kind of dust (IP 6X). The products are also tested against water jets (IP X5). 12,5 litres per minute, at a pressure of 30 kPa at a distance of 3 m.



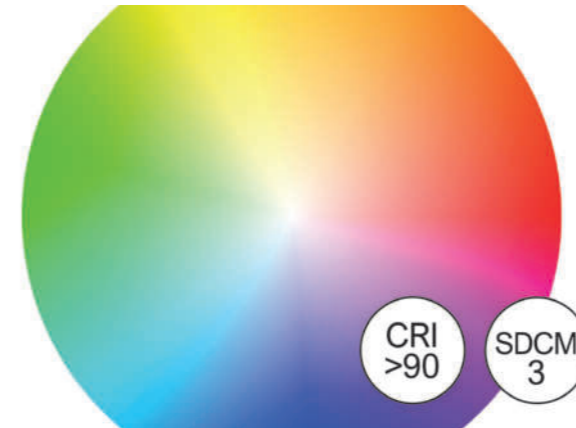
## Wide range of optics

All QUANTUMs can be equipped with narrow, medium, wide or elliptical optics. Maximum flexibility in lighting design. Bi-emission applies models - on request - can be equipped with mixed optics.



## Wide choice of color temperatures

The QUANTUM series is offered with a wide choice of colour temperatures: 2700K, 3000K and 4000K. In addition - on request - versions with an extremely warm colour temperature (2200 K) are available.



## Faithful reproduction of colors

The QUANTUM series products are equipped with a range of top-quality LED light sources. Colour rendering index (CRI) > 90. They also offer excellent colour temperature consistency, with a Step MacAdam 3 value.

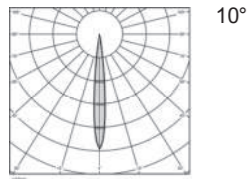
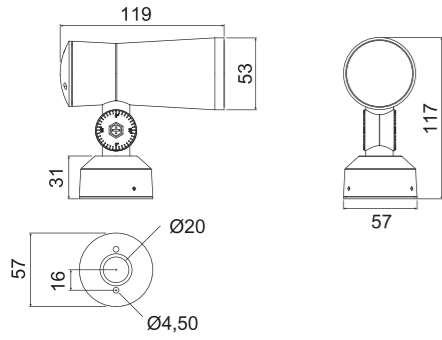


## The importance of visual comfort

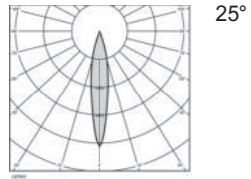
All QUANTUMs are designed with a lowered light source to reduce perceived glare. They can also be configured by inserting optical options such as honeycombs and louvers. For visual comfort at the highest level.



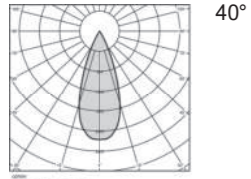
# Quantum Flood 1.0



10°



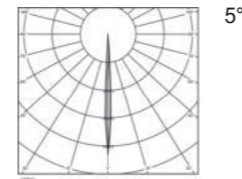
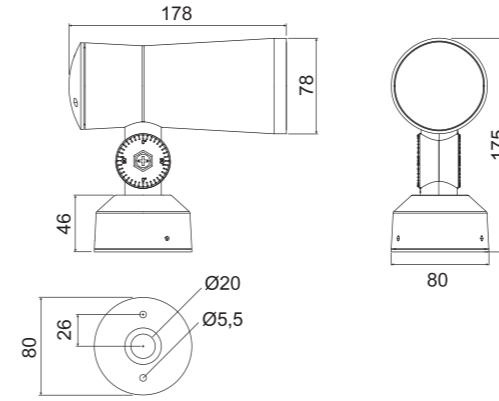
25°



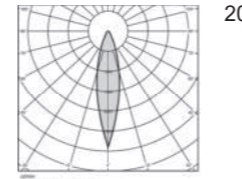
40°

Source type	single power-LED
CCT	2700K 3000K 4000K
CRI	>90
Step MacAdam	3
Lumen output	up to 161 lm
Beam angle	10° 25° 40°
Optical optional	None Honeycomb
LED Lifetime	L80 B10 50.000h
IP rating	IP65
IK rating	IK06
Type of finishing	Epoxy polyester powder coating
Finishing colour	Anthracite RAL7016 White RAL9003 Corten Black RAL9005 Paintable primer Green RAL6009
Body material	Die-cast aluminium EN AB46100
Diffuser material	Extra-clear tempered glass
Diffuser thickness	5mm
ISO 9223 class	C5
Operating temperature	-20°C / +50° C
Power	3W
Input power type	220V AC 50/60 Hz
Power supply	Integrated
Insulation class	Class II
Dimmable	No
Connector type	Class II terminal block
Idroskud® protection	No

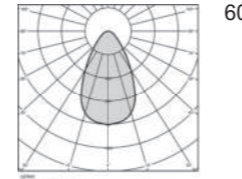
# Quantum Flood 2.0



5°



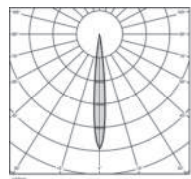
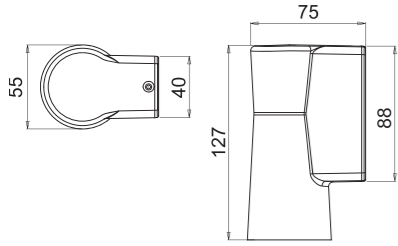
20°



60°

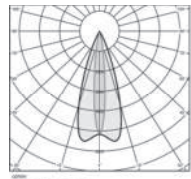
Source type	single power-LED
CCT	2700K 3000K 4000K
CRI	>90
Step MacAdam	3
Lumen output	up to 370 lm
Beam angle	5° 20° 60°
Optical optional	None Honeycomb
LED Lifetime	L80 B10 50.000h
IP rating	IP65
IK rating	IK06
Type of finishing	Epoxy polyester powder coating
Finishing colour	Anthracite RAL7016 White RAL9003 Corten Black RAL9005 Paintable primer Green RAL6009
Body material	Die-cast aluminium EN AB46100
Diffuser material	Extra-clear tempered glass
Diffuser thickness	6mm
ISO 9223 class	C5
Operating temperature	-20°C / +50° C
Power	7W
Input power type	220V AC 50/60 Hz
Power supply	Integrated
Insulation class	Class II
Dimmable	Yes (DALI)
Connector type	Class II terminal block
Idroskud® protection	No

# Quantum 1.1



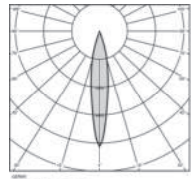
10°

Source type	single power-LED
CCT	2700K 3000K 4000K
CRI	>90
Step MacAdam	3
Lumen output	up to 161 lm
Beam angle	10°



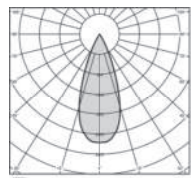
10°x45°

Optical optional	None Honeycomb
LED Lifetime	L80 B10 50.000h
IP rating	IP65
IK rating	IK06
Type of finishing	Epoxy polyester powder coating
Finishing colour	Anthracite RAL7016 White RAL9003 Corten Black RAL9005 Paintable primer



25°

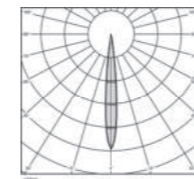
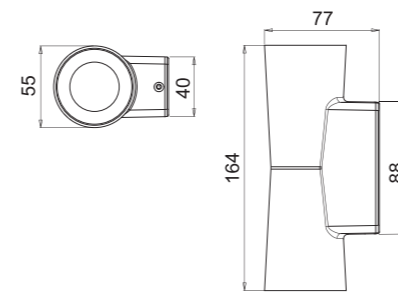
Body material	Die-cast aluminium EN AB46100
Diffuser material	Extra-clear tempered glass
Diffuser thickness	5mm
ISO 9223 class	C5
Operating temperature	-20°C / +50° C



40°

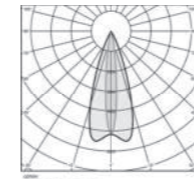
Power	3W
Input power type	220V AC 50/60 Hz
Power supply	Integrated
Insulation class	Class II
Dimmable	No
Connector type	Class II terminal block
Idroskud® protection	No

# Quantum 1.2



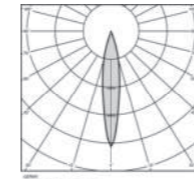
10°

Source type	single power-LED
CCT	2700K 3000K 4000K
CRI	>90
Step MacAdam	3
Lumen output	up to 321 lm
Beam angle	10°



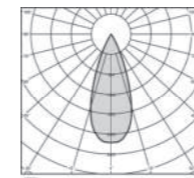
10°x45°

Optical optional	None Honeycomb
LED Lifetime	L80 B10 50.000h
IP rating	IP65
IK rating	IK06
Type of finishing	Epoxy polyester powder coating
Finishing colour	Anthracite RAL7016 White RAL9003 Corten Black RAL9005 Paintable primer



25°

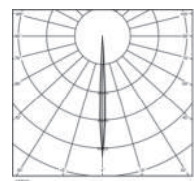
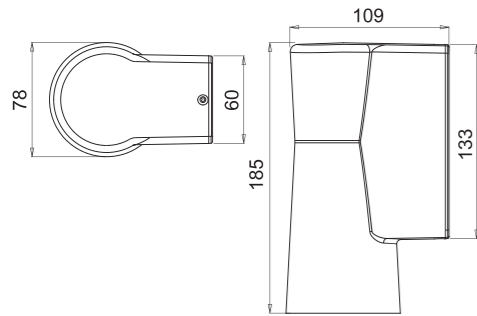
Body material	Die-cast aluminium EN AB46100
Diffuser material	Extra-clear tempered glass
Diffuser thickness	5mm
ISO 9223 class	C5
Operating temperature	-20°C / +50° C



40°

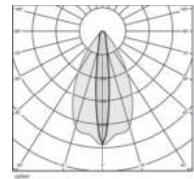
Power	6W
Input power type	220V AC 50/60 Hz
Power supply	Integrated
Insulation class	Class II
Dimmable	No
Connector type	Class II terminal block
Idroskud® protection	No

## Quantum 2.1

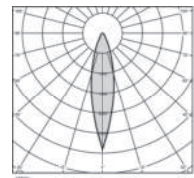


5°

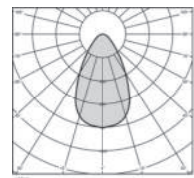
Source type	single power-LED
CCT	2700K 3000K 4000K
CRI	>90
Step MacAdam	3
Lumen output	up to 370 lm
Beam angle	5° 20° 60° 15°x60°
Optical optional	None Honeycomb
LED Lifetime	L80 B10 50.000h
IP rating	IP65
IK rating	IK06
Type of finishing	Epoxy polyester powder coating
Finishing colour	Anthracite RAL7016 White RAL9003 Corten Black RAL9005 Paintable primer
Body material	Die-cast aluminium EN AB46100
Diffuser material	Extra-clear tempered glass
Diffuser thickness	6mm
ISO 9223 class	C5
Operating temperature	-20°C / +50° C
Power	7W
Input power type	220V AC 50/60 Hz
Power supply	Integrated
Insulation class	Class II
Dimmable	No Yes (DALI)
Connector type	Class II terminal block
Idroskud® protection	No



15°x60°

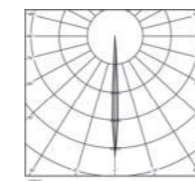
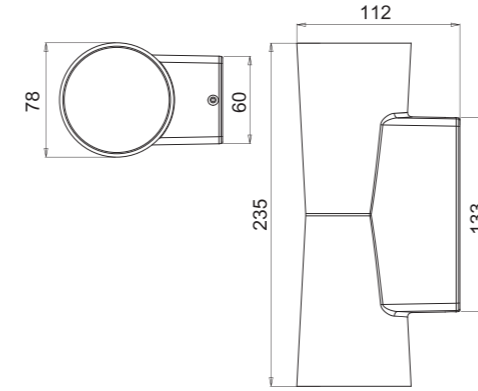


20°



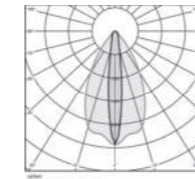
60°

## Quantum 2.2

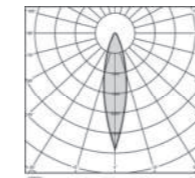


5°

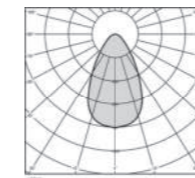
Source type	single power-LED
CCT	2700K 3000K 4000K
CRI	>90
Step MacAdam	3
Lumen output	up to 739 lm
Beam angle	5° 20° 60° 15°x60°
Optical optional	None Honeycomb
LED Lifetime	L80 B10 50.000h
IP rating	IP65
IK rating	IK06
Type of finishing	Epoxy polyester powder coating
Finishing colour	Anthracite RAL7016 White RAL9003 Corten Black RAL9005 Paintable primer
Body material	Die-cast aluminium EN AB46100
Diffuser material	Extra-clear tempered glass
Diffuser thickness	6mm
ISO 9223 class	C5
Operating temperature	-20°C / +50° C
Power	14W
Input power type	220V AC 50/60 Hz
Power supply	Integrated
Insulation class	Class II
Dimmable	No Yes (DALI)
Connector type	Class II terminal block
Idroskud® protection	No



15°x60°

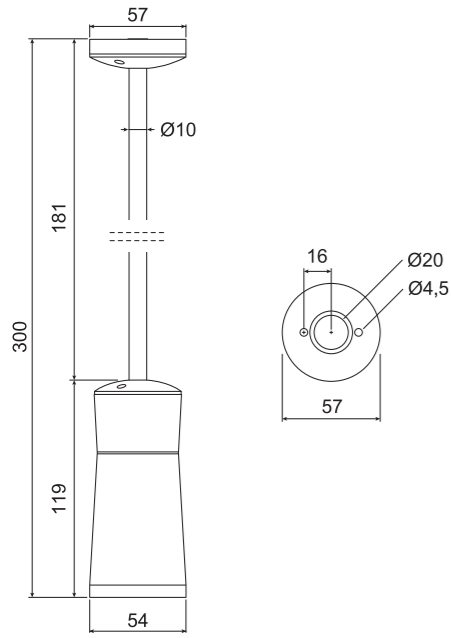


20°

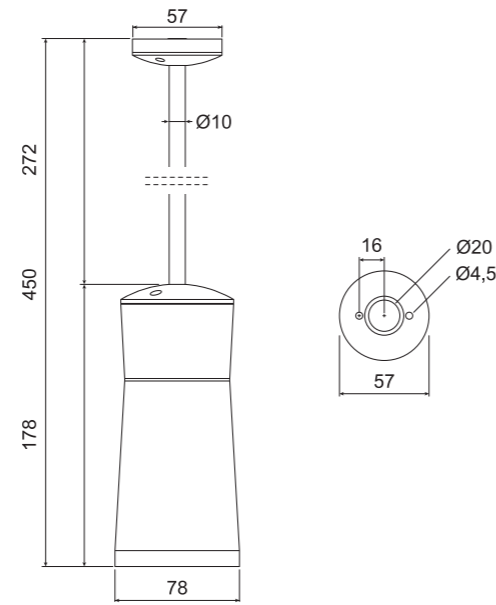


60°

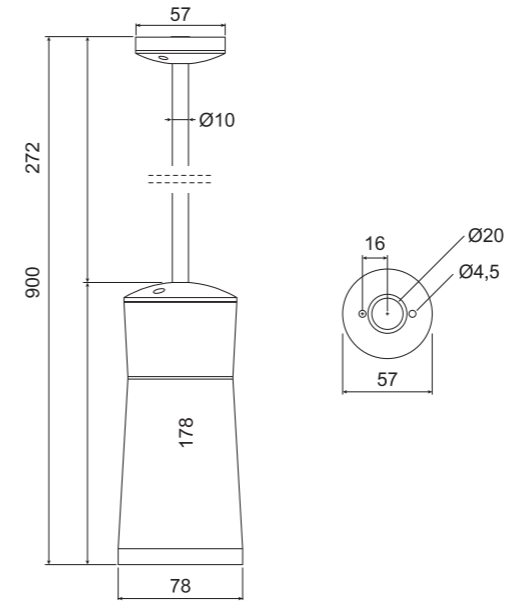
## Quantum Tige 1.0



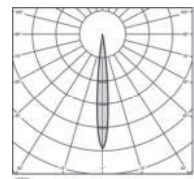
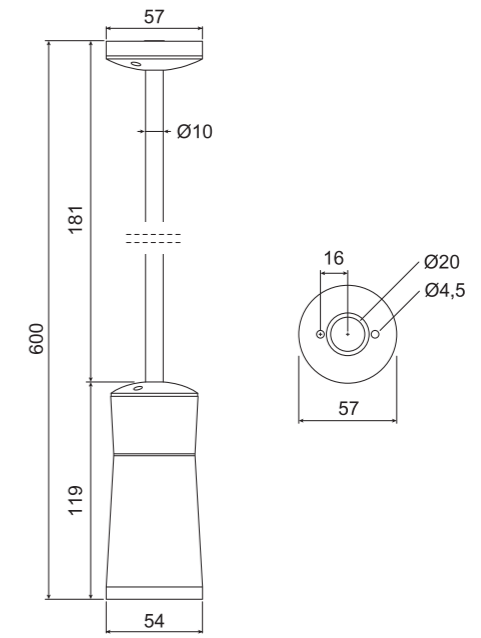
## Quantum Tige 1.1



## Quantum Tige 2.0

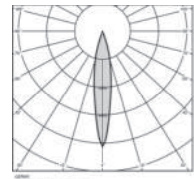


## Quantum Tige 2.1

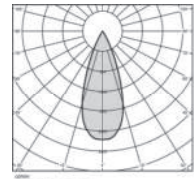


10°

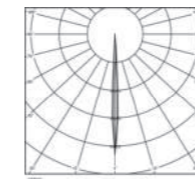
Source type	single power-LED
CCT	2700K 3000K 4000K
CRI	>90
Step MacAdam	3
Lumen output	up to 161 lm
Beam angle	10° 25° 40°
Optical optional	None Honeycomb
LED Lifetime	L80 B10 50.000h
IP rating	IP65
IK rating	IK06
Type of finishing	Epoxy polyester powder coating
Finishing colour	Anthracite RAL7016 White RAL9003 Corten Black RAL9005 Paintable primer Green RAL6009
Body material	Die-cast aluminium EN AB46100
Diffuser material	Extra-clear tempered glass
Diffuser thickness	5mm
ISO 9223 class	C5
Operating temperature	-20°C / +50° C
Power	3W
Input power type	220V AC 50/60 Hz
Power supply	Integrated
Insulation class	Class II
Dimmable	No
Connector type	Class II terminal block
Idroskud® protection	No



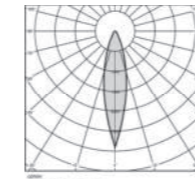
25°



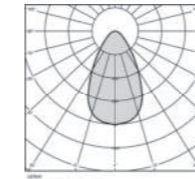
40°



5°



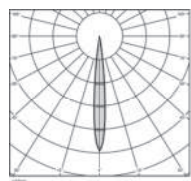
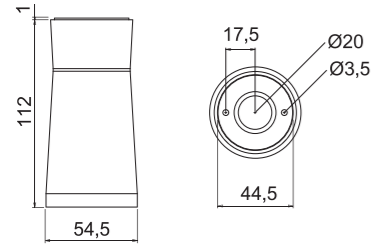
20°



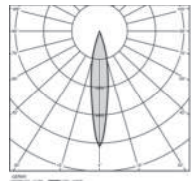
60°

Source type	single power-LED
CCT	2700K 3000K 4000K
CRI	>90
Step MacAdam	3
Lumen output	up to 370 lm
Beam angle	5° 20° 60°
Optical optional	None Honeycomb
LED Lifetime	L80 B10 50.000h
IP rating	IP65
IK rating	IK06
Type of finishing	Epoxy polyester powder coating
Finishing colour	Anthracite RAL7016 White RAL9003 Corten Black RAL9005 Paintable primer Green RAL6009
Body material	Die-cast aluminium EN AB46100
Diffuser material	Extra-clear tempered glass
Diffuser thickness	6mm
ISO 9223 class	C5
Operating temperature	-20°C / +50° C
Power	7W
Input power type	220V AC 50/60 Hz
Power supply	Integrated
Insulation class	Class II
Dimmable	Yes (DALI)
Connector type	Class II terminal block
Idroskud® protection	No

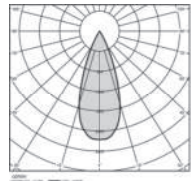
# Quantum Ceiling 1.0



10°



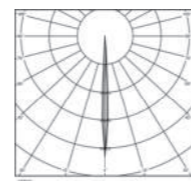
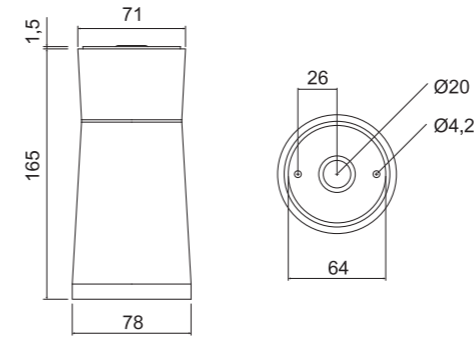
25°



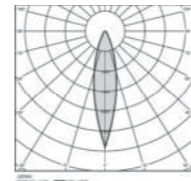
40°

Source type	single power-LED
CCT	2700K 3000K 4000K
CRI	>90
Step MacAdam	3
Lumen output	up to 161 lm
Beam angle	10° 25° 40°
Optical optional	None Honeycomb
LED Lifetime	L80 B10 50.000h
IP rating	IP65
IK rating	IK06
Type of finishing	Epoxy polyester powder coating
Finishing colour	Anthracite RAL7016 White RAL9003 Corten Black RAL9005 Paintable primer Green RAL6009
Body material	Die-cast aluminium EN AB46100
Diffuser material	Extra-clear tempered glass
Diffuser thickness	5mm
ISO 9223 class	C5
Operating temperature	-20°C / +50° C
Power	3W
Input power type	220V AC 50/60 Hz
Power supply	Integrated
Insulation class	Class II
Dimmable	No
Connector type	Class II terminal block
Idroskud® protection	No

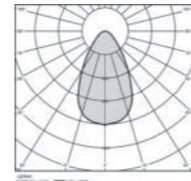
# Quantum Ceiling 2.0



5°



20°



60°

Source type	single power-LED
CCT	2700K 3000K 4000K
CRI	>90
Step MacAdam	3
Lumen output	up to 370 lm
Beam angle	5° 20° 60°
Optical optional	None Honeycomb
LED Lifetime	L80 B10 50.000h
IP rating	IP65
IK rating	IK06
Type of finishing	Epoxy polyester powder coating
Finishing colour	Anthracite RAL7016 White RAL9003 Corten Black RAL9005 Paintable primer Green RAL6009
Body material	Die-cast aluminium EN AB46100
Diffuser material	Extra-clear tempered glass
Diffuser thickness	6mm
ISO 9223 class	C5
Operating temperature	-20°C / +50° C
Power	7W
Input power type	220V AC 50/60 Hz
Power supply	Integrated
Insulation class	Class II
Dimmable	Yes (DALI)
Connector type	Class II terminal block
Idroskud® protection	No

# Code configurator

Model	CCT	CRI	Beam angle	Optical options	Finishing	Cable length	Version
QUA07 QUANTUM FLOOD 1.0	C 2700K	C CRI > 90	S 10°	0 None	B0 Black RAL9005	Z n.c.	00 ON/OFF
	D 3000K		M 25°	1 Honeycomb	CT Corten		
	F 4000K		L 40°		E0 Green RAL6009 G0 Anthracite RAL7016 PR Primer W0 White RAL9003		
QUA08 QUANTUM FLOOD 2.0	C 2700K	C CRI > 90	S 5°	0 None	B0 Black RAL9005	Z n.c.	00 DALI
	D 3000K		M 20°	1 Honeycomb	CT Corten		
	F 4000K		L 60°		E0 Green RAL6009 G0 Anthracite RAL7016 PR Primer W0 White RAL9003		

**Configuration example**

QUA07	C	C	S	0	B0	Z	00
-------	---	---	---	---	----	---	----

QUA07CCS0B0Z00 - QUANTUM FLOOD 1.0 3W BK9005 10° 2700K 220V

QUA00 QUANTUM 1.1	C 2700K	C CRI > 90	S 10°	0 None	B0 Black RAL9005	Z n.c.	00 ON/OFF
	D 3000K		E 10°x45°	1 Honeycomb	CT Corten		
	F 4000K		M 25° L 40°		G0 Anthracite RAL7016 PR Primer W0 White RAL9003		
QUA01 QUANTUM 1.2	C 2700K	C CRI > 90	S 10°	0 None	B0 Black RAL9005	Z n.c.	00 ON/OFF
	D 3000K		E 10°x45°	1 Honeycomb	CT Corten		
	F 4000K		M 25° L 40°		G0 Anthracite RAL7016 PR Primer W0 White RAL9003		
QUA02 QUANTUM 2.1	C 2700K	C CRI > 90	S 5°	0 None	B0 Black RAL9005	Z n.c.	00 ON/OFF
	D 3000K		E 15°x60°	1 Honeycomb	CT Corten		01 DALI
	F 4000K		M 20° L 60°		G0 Anthracite RAL7016 PR Primer W0 White RAL9003		
QUA03 QUANTUM 2.2	C 2700K	C CRI > 90	S 5°	0 None	B0 Black RAL9005	Z n.c.	00 ON/OFF
	D 3000K		E 15°x60°	1 Honeycomb	CT Corten		01 DALI
	F 4000K		M 20° L 60°		G0 Anthracite RAL7016 PR Primer W0 White RAL9003		

**Configuration example**

QUA00	C	C	S	0	B0	Z	00
-------	---	---	---	---	----	---	----

QUA00CCS0B0Z00 - QUANTUM 1.1 3W BK9005 10° 2700K 220V

n.c. = not pre-wired

Model	CCT	CRI	Beam angle	Optical options	Finishing	Cable length	Version
QUA09 QUANTUM TIGE 1.0 / 1.1	C 2700K	C CRI > 90	S 10°	0 None	B0 Black RAL9005	Z n.c.	00 Tige 300mm
	D 3000K		M 25°	1 Honeycomb	CT Corten		01 Tige 600mm
	F 4000K		L 40°		E0 Green RAL6009 G0 Anthracite RAL7016 PR Primer W0 White RAL9003		
QUA10 QUANTUM TIGE 2.0 / 2.1	C 2700K	C CRI > 90	S 5°	0 None	B0 Black RAL9005	Z n.c.	00 Tige 450mm
	D 3000K		M 20°	1 Honeycomb	CT Corten		01 Tige 900mm
	F 4000K		L 60°		E0 Green RAL6009 G0 Anthracite RAL7016 PR Primer W0 White RAL9003		

**Configuration example**

QUA09	C	C	S	0	B0	Z	00
-------	---	---	---	---	----	---	----

QUA09CCS0B0Z00 - QUANTUM TIGE 1.0 300mm 3W BK9005 10° 2700K 220V

QUA05 QUANTUM CEILING 1.0	C 2700K	C CRI > 90	S 10°	0 None	B0 Black RAL9005	Z n.c.	00 ON/OFF
	D 3000K		M 25°	1 Honeycomb	CT Corten		
	F 4000K		L 40°		E0 Green RAL6009 G0 Anthracite RAL7016 PR Primer W0 White RAL9003		
QUA06 QUANTUM CEILING 2.0	C 2700K	C CRI > 90	S 5°	0 None	B0 Black RAL9005	Z n.c.	00 DALI
	D 3000K		M 20°	1 Honeycomb	CT Corten		
	F 4000K		L 60°		E0 Green RAL6009 G0 Anthracite RAL7016 PR Primer W0 White RAL9003		

**Configuration example**

QUA05	C	C	S	0	B0	Z	00
-------	---	---	---	---	----	---	----

QUA05CCS0B0Z00 - QUANTUM CEILING 1.0 3W BK9005 10° 2700K 220V

n.c. = not pre-wired





MIZAR  
a brand of ReeR spa

Via Carcano, 32  
10153 Turin - Italy

mizar.it  
info@mizar.it