

FLUMEN 3.0

FLUMEN 3.0 7W GR6009 60° 3000K 24V
1,5M

Cod: **FLM02DCL0E0C00**



IdroSkud® protection system

- polarity reversal protection
- voltage spikes protection
- water infiltration protection



Protection class III

Designed to be supplied from a separated extra-low voltage (SELV) power supply



IP 66

Protected against powerful power jets, 100 liters per minute



IP 67

Protected against temporary immersion (30 minutes) up to 1 meter



IK 10

Protected against impact of 20 J



High temperatures

Design to withstand temperatures up to +50° C



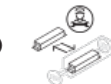
C5 - Very high

corrosion resistance level ISO 9223



Mizar warranty

5 years warranty



Technical description

Floodlight suitable for outdoor environments (IP66/IP67), with operating temperature range: -20°C / +50°C. To reduce weight and ensure corrosion resistance, the body is made of aluminum. The aluminum body is protected by polyester epoxy paint to ensure corrosion resistance of 1500 hours in salt spray. The light source consists of a single power LED chip, from 7W up to 14W, powered at 24V constant voltage with integrated driver. The high luminous flux makes it ideal for marking pedestrian and or illuminating facades and architectural details thanks to the optics with TIR lens. The LED source is recessed for greater visual comfort. Color rendering index CRI > 90. Flumen is equipped with IdroSkud® system to protect electronic components from voltage spikes, polarity reversal and water infiltration. There are optionals for anti-glare (honeycomb) and accessory for installation in the ground (stake). The product must be combined with a power supply to ensure its operation. The power supply must be ordered separately. The amount of luminaires that can be connected to a single power supply varies depending on the type of installation. It is up to the installer to verify the possible voltage drop by evaluating the distance between the product and the power supply.

Lighting data

Source type	single chip power LED	Photobiological risk	RG0
CCT	3000K	ULR	0.00%
CRI	> 90	BUG Rating	B0 U0 G0
MacAdam (SDCM)	2	CIE Flux Code	83 98 100 100 100
Source lumen output (lm)	445	LED lifetime	L80 B10 50.000h
Luminaire lumen output (lm)	351	Efficiency class	This product contains a light source of energy efficiency class (EU2019/2015): G
Light emission	Wide		
Beam angle	60°		

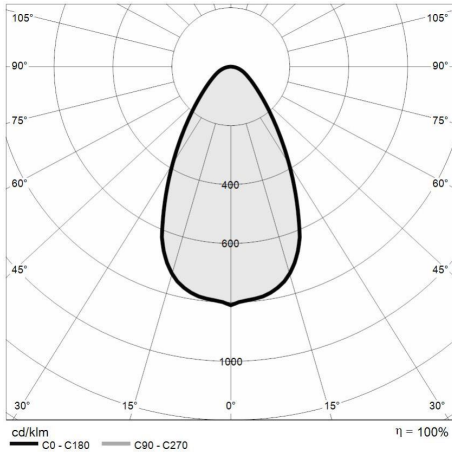
Mechanical data

Width (mm)	102	Body material	Anodized aluminum anticorodal 6082
Length (mm)	115	Diffuser material	Extraclear tempered glass
Height (mm)	142	Diffuser thickness (mm)	10
Weight (g)	1762	Class ISO 9223	C5
IP Rating	IP66 / IP67	Optic type	Technopolymer TIR Lens
IK rating	IK10	Optical optional	None
Type of finishing	Protective primer followed by epoxy and polyester paint	Maximal working temperature	+50° C
Finishing colour	Green RAL6009	Minimal working temperature	-20° C

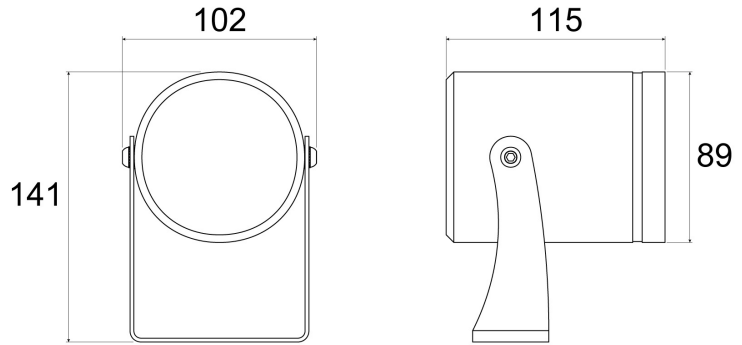
Electrical data

Nominal power (W)	7	Electrical connection	Parallel connection
Power supply (input power type)	Constant voltage - 24V	Idroskud® protection	Yes
Ballast	Remote	Inverse polarity protection	Yes
Insulation class	III	Voltage spikes protection	Yes
Dimmable	Yes		
Power cable type	H05RN - F 2x0,75 mm ²		
Power cable length	1,5 m		

Photometry



Technical drawing



Accessories



GROUND STAKE

Stake for floodlight - big size

Cod: CEAZZ017



NOT DIMMABLE POWER SUPPLY

Power supply DC 24V 70W 2,9A IP67

Cod: MID0028



NOT DIMMABLE POWER SUPPLY

Power supply DC 24V 150W 6,25A IP67

Cod: MID0029



DIMMABLE POWER SUPPLY

Power supply DC 24V 120W 5A IP67
DALI2/PWM

Cod: MID0030



DIMMABLE POWER SUPPLY

Power supply DC 24V 200W 5A IP67
DALI2/PWM

Cod: MID0031



SNOOTS FLUMEN 3.0

KIT SNOOT BLACK PAINTED FLUMEN
3.0

Cod: FLMZZZ004



VISORS FLUMEN 3.0

KIT VISOR BLACK PAINTED FLUMEN 3.0

Cod: FLMZZZ005