



VITRUM 2.0

VITRUM 2.0 3W WHITE 40° 2700K 24V
LV 15M

Cod: **VIT02CCL202P00**



IdroSkud® protection system
- polarity reversal protection
- voltage spikes protection
- water infiltration protection



Protection class III
Designed to be supplied from a separated extra-low voltage (SELV) power supply



IP 66
Protected against powerful power jets, 100 liters per minute



IP 68
Protected against continuous immersion up to 3 meters



IK 10
Protected against impact of 20 J



High temperatures
Design to withstand temperatures up to +50° C



Walk-over
Fixture design to withstand a static load up to 5 kN



CX - Extreme
corrosion resistance level ISO 9223



Mizar warranty
5 years warranty



Technical description

Fully flush inground luminaire, walk-over , suitable for outdoor and underwater environments (IP66/IP68) with operating temperature range: -20°C / +50°C. Its special feature is that it has a tempered glass screen without metal frame, opal, with black screen-printed edge. The body is made of black anodized anticorodal aluminum. The light source consists of a single 3W power Led chip powered at 24Vdc constant voltage with integrated driver. The minimalist design makes it ideal as a lighting fixture for elegant indoor and outdoor environments, as well as for high-humidity situations (spas, wine cellars). The source is set back for greater visual comfort. Color rendering index CRI > 90. Vitrum is equipped with IdroSkud® system to protect electronic components from voltage spikes, polarity reversal and water infiltration. There are installation accessories (draining, watertight and plasterboard outercase). The product must be combined with a power supply to ensure its operation. The power supply must be ordered separately. The amount of luminaires that can be connected to a single power supply varies depending on the type of installation. It is up to the installer to verify the possible voltage drop by evaluating the distance between the product and the power supply.

Lighting data

Source type	single chip power LED	Photobiological risk	RG0
CCT	2700K	ULR	100.00%
CRI	> 90	BUG Rating	B0 U3 G0
MacAdam (SDCM)	2	CIE Flux Code	0 0 0 0 100
Source lumen output (lm)	236	LED lifetime	L80 B10 50.000h
Luminaire lumen output (lm)	130	Efficiency class	This product contains a light source of energy efficiency class (EU2019/2015): F
Light emission	Wide		
Beam angle	40°		

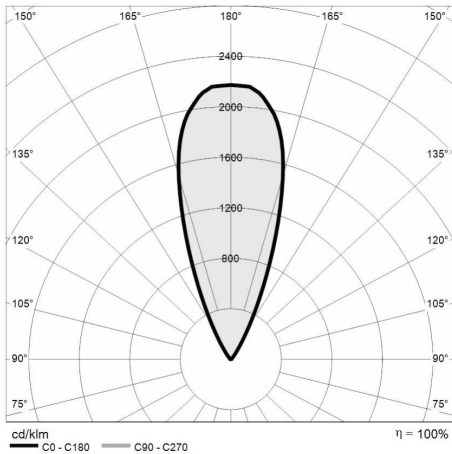
Mechanical data

Diameter (mm)	60	Optic type	Technopolymer TIR Lens
Height (mm)	87	Optical optional	Louvre
Weight (g)	278	Maximal working temperature	+50° C
IP Rating	IP66 / IP68	Minimal working temperature	-20° C
IK rating	IK10	Maximal static load (kN)	5
Finishing colour	White silk-screen	Walk-over	Yes
Body material	Anodized aluminum anticorodal 6082	Driver-over	No
Diffuser material	Extraclear tempered glass	Maximal surface temperature	+50° C
Diffuser thickness (mm)	10	Areas EN 60598-2-13	A1 / A2
Class ISO 9223	CX		

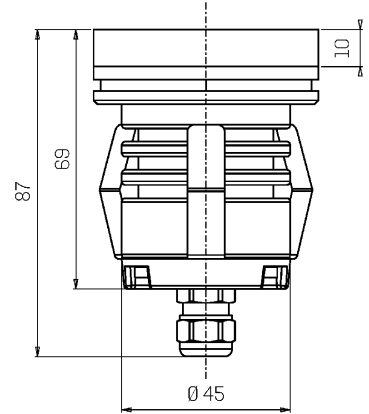
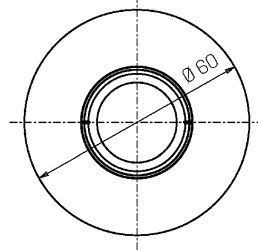
Electrical data

Nominal power (W)	3	Electrical connection	Parallel connection
Power supply (input power type)	Costant voltage - 24V	Idroskud® protection	Yes
Ballast	Remote	Inverse polarity protection	Yes
Insulation class	III	Voltage spikes protection	Yes
Dimmable	Yes		
Power cable type	H05RN - F 2x0,75 mm ²		
Power cable length	15 m		

Photometry



Technical drawing



Accessories



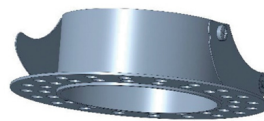
DRAINING OUTERCASE
Outercase draining VITRUM 2

Cod: VITZZZ001



SLIM DRAINING OUTERCASE
Outercase slim VITRUM 2

Cod: VITZZZ004



PLASTERBOARD RING
Plasterboard ring VITRUM 2

Cod: VITZZZ007



EXTRACTION KIT
Suction cup for VITRUM 2

Cod: VITZZZ010



NOT DIMMABLE POWER SUPPLY
Power supply DC 24V 14,4W IP67 ON/OFF

Cod: MID0019



NOT DIMMABLE POWER SUPPLY
Power supply DC 24V 36W IP67 ON/OFF

Cod: MID0020



DIMMABLE POWER SUPPLY
Power supply 220/240 50/60Hz 24V 24W IP67 DALI

Cod: MID0021