



ACUS 1.0

ACUS 1.0 20W 35° 3000K 500mA

Cod: **ACU00DCM000Z00**



IdroSkud® protection system

- polarity reversal protection
- voltage spikes protection
- water infiltration protection



Protection class III

Designed to be supplied from a separated extra-low voltage (SELV) power supply



IP 66

Protected against powerful power jets, 100 liters per minute



IP 67

Protected against temporary immersion (30 minutes) up to 1 meter



IK 10

Protected against impact of 20 J



High temperatures

Design to withstand temperatures up to +50° C



Driver-over

Fixture design to withstand a static load up to 20 kN



CX - Extreme

corrosion resistance level ISO 9223



Mizar warranty

5 years warranty



Technical description

Inground luminaire, drive-over, suitable for outdoor environments (IP66/IP67), with operating temperature range: -20°C / +50°C. To reduce weight and ensure corrosion resistance, the body is made of aluminum and the round frame of steel. The light source is LED C.O.B powered by constant current, max 500mA, for maximum power of 20W. The high luminous flux makes it ideal for marking pedestrian and driveway paths or illuminating facades and architectural details thanks to the optics with TIR lens. The LED source is recessed for greater visual comfort. Color rendering index CRI > 90. Acus is equipped with IdroSkud® system to protect electronic components from voltage spikes, polarity reversal and water infiltration. There are optionals for anti-glare (honeycomb and louvre) and installation accessories (drive-over outercase). The product must be combined with a power supply to ensure its operation. The power supply must be ordered separately. The amount of luminaires that can be connected to a single power supply varies depending on the type of installation. It is up to the installer to verify the possible voltage drop by evaluating the distance between the product and the power supply.

Lighting data

| | | | |
|-----------------------------|---------|----------------------|--|
| Source type | COB LED | Photobiological risk | RG0 |
| CCT | 3000K | ULR | 100.00% |
| CRI | > 90 | BUG Rating | B0 U5 G0 |
| MacAdam (SDCM) | 3 | CIE Flux Code | 0 0 0 0 100 |
| Source lumen output (lm) | 2082 | LED lifetime | L80 B10 50.000h |
| Luminaire lumen output (lm) | 1541 | Efficiency class | This product contains a light source of energy efficiency class (EU2019/2015): F |
| Light emission | Medium | | |
| Beam angle | 35° | | |

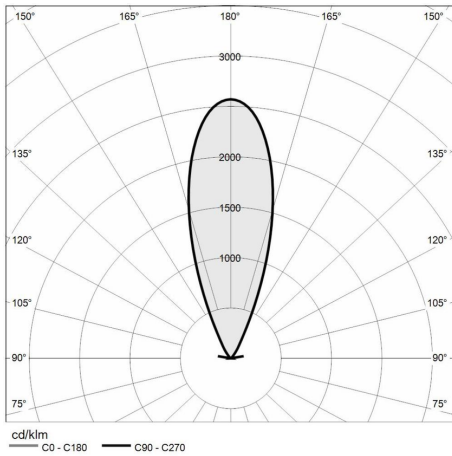
Mechanical data

| | | | |
|--------------------------|------------------------------------|-----------------------------|------------------------|
| Diameter (mm) | 140 | Diffuser thickness (mm) | 12 |
| Height (mm) | 106 | Class ISO 9223 | CX |
| Weight (g) | 1325 | Optic type | Technopolymer TIR Lens |
| IP Rating | IP66 / IP67 | Optical optional | None |
| IK rating | IK10 | Maximal working temperature | +50° C |
| Shape | Round | Minimal working temperature | -20° C |
| Finishing colour | Steel | Maximal static load (kN) | 20 |
| Frame material | Shot peened stainless steel 316L | Walk-over | Yes |
| Body material | Anodized aluminum anticorodal 6082 | Driver-over | Yes |
| External screws material | Stainless steel 316L (A4) | Maximal surface temperature | +60° C |
| Diffuser material | Extraclear tempered glass | Areas EN 60598-2-13 | A1 / A2 / A3 / A4 |

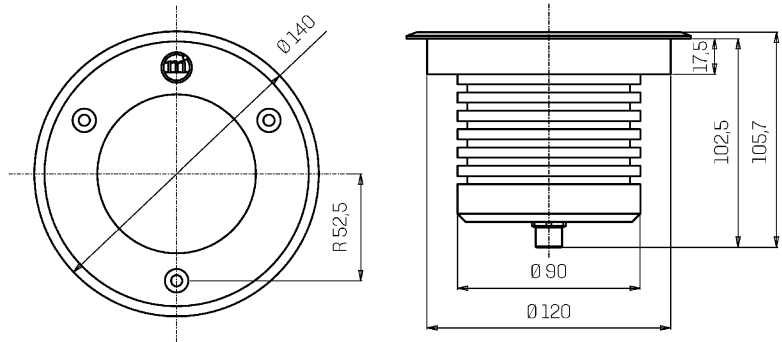
Electrical data

| | | | |
|---------------------------------|--------------------------|-----------------------------|-------------------|
| Nominal power (W) | 20 | Electrical connection | Series connection |
| Power supply (input power type) | Costant current - 500 mA | Idroskud® protection | Yes |
| Ballast | Remote | Inverse polarity protection | Yes |
| Insulation class | III | Voltage spikes protection | Yes |
| Dimmable | Yes | | |
| Connector type | M12 - 5 poles IP67 | | |
| Power cable length | Not pre-wired | | |

Photometry



Technical drawing



Accessories



DRIVE-OVER OUTERCASE

Outercase drive-over ACUS

Cod: ACUZZZ000



NOT DIMMABLE POWER SUPPLY

POWER SUPPLY DC 5-44V 700MA 30W
MAX

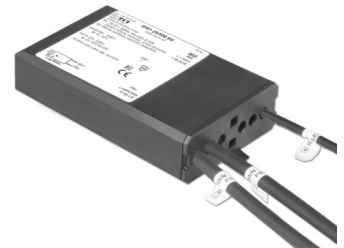
Cod: MID0022



DIMMABLE POWER SUPPLY

POWER SUPPLY DC 10-54V 1,5/38W
150-1050MA IP20 DALI/NFC

Cod: MID0025



NOT DIMMABLE POWER SUPPLY

POWER SUPPLY DC 10-50V 15/70W
700MA IP68

Cod: MID0026



DIMMABLE POWER SUPPLY

POWER SUPPLY DC 2-49V 1/30W
250-700MA IP68 DALI

Cod: MID0027