



OCEANO 4.1

OCEANO 4.1 7W ST-BR 60° 4000K 24V
LV 15M

Cod: **CEA09FCL203P00**



IdroSkud® protection system

- polarity reversal protection
- voltage spikes protection
- water infiltration protection



Protection class III

Designed to be supplied from a separated extra-low voltage (SELV) power supply



IP 66

Protected against powerful power jets, 100 liters per minute



IP 68 up to 10m

Protected against continuous immersion up to 10 meters



IK 09

Protected against impact of 10 J



High temperatures

Design to withstand temperatures up to +50° C



Walk-over

Fixture design to withstand a static load up to 5 kN



CX - Extreme

corrosion resistance level ISO 9223



Mizar warranty

5 years warranty



Technical description

Inground luminaire, walk-over, suitable for outdoor and underwater environments up to 10 m (IP66/IP68), with operating temperature range: -20°C / +50°C. To provide maximum versatility of application, the body can be made of aluminum or steel; the frame, aluminum, steel or brass. The light source consists of a single 7W power Led chip powered at 24V constant voltage with integrated driver. The luminous flux makes it ideal for marking pedestrian paths or illuminating architectural details. The source is recessed for greater visual comfort. Color rendering index CRI > 90. Oceano is equipped with IdroSkud® system to protect electronic components from voltage spikes, polarity reversal and water infiltration. There are optionals for anti-glare (honeycomb and louvre) and installation accessories (draining and waterproof outercase and spring for ceiling attachment). The product must be combined with a power supply to ensure its operation. The power supply must be ordered separately. The amount of luminaires that can be connected to a single power supply varies depending on the type of installation. It is up to the installer to verify the possible voltage drop by evaluating the distance between the product and the power supply.

Lighting data

Source type	single chip power LED	Photobiological risk	RG0
CCT	4000K	ULR	100.00%
CRI	> 90	BUG Rating	B0 U3 G0
MacAdam (SDCM)	2	CIE Flux Code	0 0 0 0 100
Source lumen output (lm)	445	LED lifetime	L80 B10 50.000h
Luminaire lumen output (lm)	352	Efficiency class	This product contains a light source of energy efficiency class (EU2019/2015): G
Light emission	Wide		
Beam angle	60°		

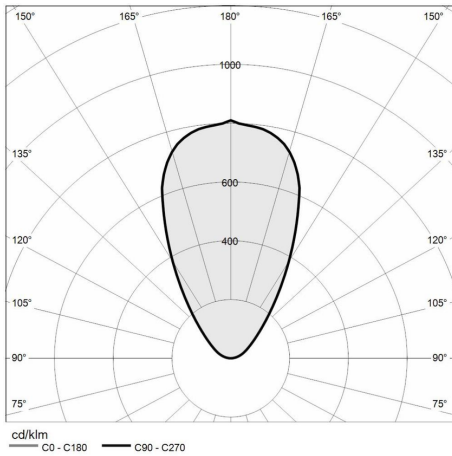
Mechanical data

Width (mm)	90	Diffuser thickness (mm)	8
Length (mm)	90	Class ISO 9223	CX
Height (mm)	114	Optic type	Technopolymer TIR Lens
Weight (g)	1550	Optical optional	Louvre
IP Rating	IP66 / IP68 10m	Maximal working temperature	+50° C
IK rating	IK09	Minimal working temperature	-20° C
Shape	Square	Maximal static load (kN)	5
Finishing colour	Steel / Brass	Walk-over	Yes
Frame material	Brass	Driver-over	No
Body material	Stainless steel 316L	Maximal surface temperature	+50° C
Diffuser material	Extraclear tempered glass	Areas EN 60598-2-13	A1 / A2

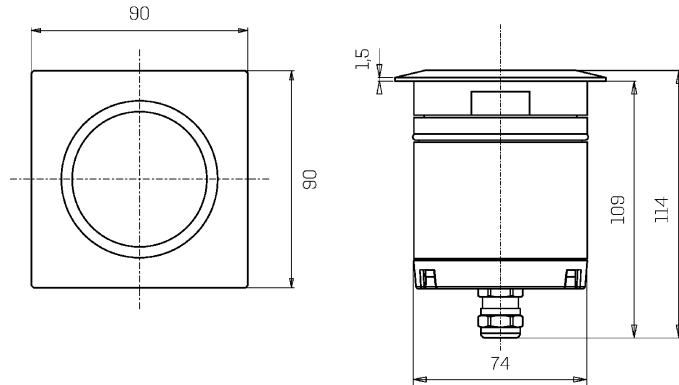
Electrical data

Nominal power (W)	7	Electrical connection	Parallel connection
Power supply (input power type)	Costant voltage - 24V	Idroskud® protection	Yes
Ballast	Remote	Inverse polarity protection	Yes
Insulation class	III	Voltage spikes protection	Yes
Dimmable	Yes		
Power cable type	H05RN - F 2x0,75 mm ²		
Power cable length	15 m (verify voltage drop)		

Photometry



Technical drawing



Accessories



DRAINING OUTERCASE

Outercase draining OCEANO 4

Cod: CEAZZ010



SLIM DRAINING OUTERCASE

Outercase draining slim OCEANO 4

Cod: CEAZZ011



SLIM WATER-PROOF OUTERCASE

Outercase waterproof slim OCEANO 4

Cod: CEAZZ012



NOT DIMMABLE POWER SUPPLY

Power supply 220/240 50/60Hz ON/OFF
24V 14,4W IP67

Cod: MID0019



NOT DIMMABLE POWER SUPPLY

Power supply 220/240 50/60Hz ON/OFF
24V 36W IP67

Cod: MID0020



DIMMABLE POWER SUPPLY

Power supply 220/240 50/60Hz 24V
24W IP67 DALI

Cod: MID0021