

Timeless design, sculpted glow,  
softly lighting your way through  
every space.

Mizar news

issue #26

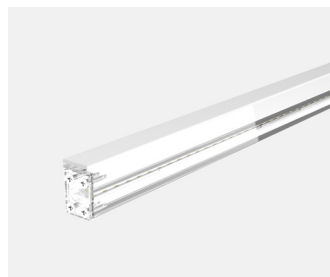
LAMINA

# Lamina

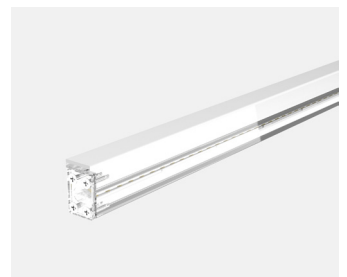
[ˈlɑːmiːnə]

LAMINA, the slim and discreet linear recessed fixture, designed to illuminate with elegance while seamlessly integrating into the space. Its minimalist profile, combined with a PMMA diffused optic, ensures visual comfort and a perfect harmony between light and architecture.

Ideal for subtly enhancing pathways, green areas and façades, LAMINA is modular, dimmable, load-bearing (carrable), and also available with an RGBW light source, adapting flexibly to any public or private setting.



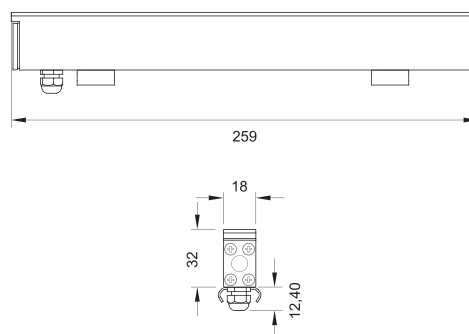
Lamina 2.0 / 5.0 / 10.0 / 15.0



Lamina 2.1 / 5.1 / 10.1 / 15.1



# Lamina

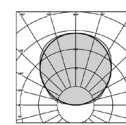


## 2.0

## 2.1

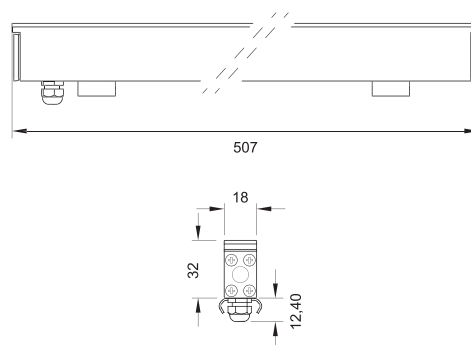
Source type	chip SMD 3014	chip SMD 3014 + chip SMD 3528
CCT	2700K 3000K 4000K	RGBW (4000K)
CRI	>80	>80
Step MacAdam	3	3
Lumen output	up to 96 lm	up to 107 lm
Beam angle	Diffused 120°	Diffused 120°
Optical optional	None	None
Lifetime	L80 B10 50.000h	L80 B10 50.000h
IP rating	IP66 / 67	IP66 / 67
IK rating	IK10	IK10
Body material	Transparent PMMA	Transparent PMMA
Diffuser material	Opal PMMA	Opal PMMA
Class ISO 9223	CX	CX
Operating temperature	-20° C / +50° C	-20° C / +50° C
Static load	2000 kg (20 kN)	2000 kg (20 kN)
Walk-over	Yes	Yes
Drive-over	Yes	Yes
Power	3,5W	6,5W
Input power supply	Costant voltage 24V	Costant voltage 24V
Ballast	Remote	Remote
Insulation class	III Class	III Class
Dimmable	Yes (PWM)	Yes (PWM)
Connector type	M12 5 poles IP67	M12 5 poles IP67
Electrical connetion	Parallel	Parallel
Idroskud® protection	Yes	Yes

Photometry



Diffused

# Lamina

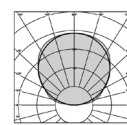


## 5.0

## 5.1

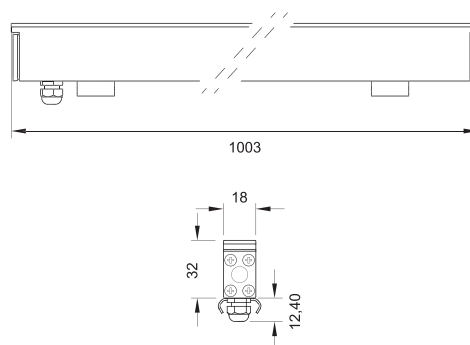
Source type	chip SMD 3014	chip SMD 3014 + chip SMD 3528
CCT	2700K 3000K 4000K	RGBW (4000K)
CRI	>80	>80
Step MacAdam	3	3
Lumen output	up to 191 lm	up to 213 lm
Beam angle	Diffused 120°	Diffused 120°
Optical optional	None	None
Lifetime	L80 B10 50.000h	L80 B10 50.000h
IP rating	IP66 / 67	IP66 / 67
IK rating	IK10	IK10
Body material	Transparent PMMA	Transparent PMMA
Diffuser material	Opal PMMA	Opal PMMA
Class ISO 9223	CX	CX
Operating temperature	-20° C / +50° C	-20° C / +50° C
Static load	2000 kg (20 kN)	2000 kg (20 kN)
Walk-over	Yes	Yes
Drive-over	Yes	Yes
Power	7W	13W
Input power supply	Costant voltage 24V	Costant voltage 24V
Ballast	Remote	Remote
Insulation class	III Class	III Class
Dimmable	Yes (PWM)	Yes (PWM)
Connector type	M12 5 poles IP67	M12 5 poles IP67
Electrical connetion	Parallel	Parallel
Idroskud® protection	Yes	Yes

Photometry



Diffused

# Lamina

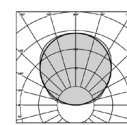


## 10.0

## 10.1

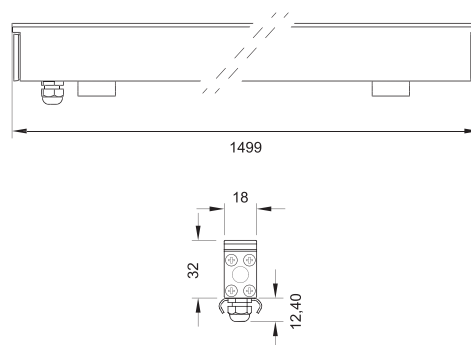
Source type	chip SMD 3014	chip SMD 3014 + chip SMD 3528
CCT	2700K 3000K 4000K	RGBW (4000K)
CRI	>80	>80
Step MacAdam	3	3
Lumen output	up to 381 lm	up to 426 lm
Beam angle	Diffused 120°	Diffused 120°
Optical optional	None	None
Lifetime	L80 B10 50.000h	L80 B10 50.000h
IP rating	IP66 / 67	IP66 / 67
IK rating	IK10	IK10
Body material	Transparent PMMA	Transparent PMMA
Diffuser material	Opal PMMA	Opal PMMA
Class ISO 9223	CX	CX
Operating temperature	-20° C / +50° C	-20° C / +50° C
Static load	2000 kg (20 kN)	2000 kg (20 kN)
Walk-over	Yes	Yes
Drive-over	Yes	Yes
Power	13W	26W
Input power supply	Costant voltage 24V	Costant voltage 24V
Ballast	Remote	Remote
Insulation class	III Class	III Class
Dimmable	Yes (PWM)	Yes (PWM)
Connector type	M12 5 poles IP67	M12 5 poles IP67
Electrical connetion	Parallel	Parallel
Idroskud® protection	Yes	Yes

Photometry



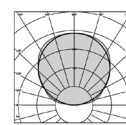
Diffused

# Lamina



	15.0	15.1
Source type	chip SMD 3014	chip SMD 3014 + chip SMD 3528
CCT	2700K 3000K 4000K	RGBW (4000K)
CRI	>80	>80
Step MacAdam	3	3
Lumen output	up to 572 lm	up to 638 lm
Beam angle	Diffused 120°	Diffused 120°
Optical optional	None	None
Lifetime	L80 B10 50.000h	L80 B10 50.000h
IP rating	IP66 / 67	IP66 / 67
IK rating	IK10	IK10
Body material	Transparent PMMA	Transparent PMMA
Diffuser material	Opal PMMA	Opal PMMA
Class ISO 9223	CX	CX
Operating temperature	-20° C / +50° C	-20° C / +50° C
Static load	2000 kg (20 kN)	2000 kg (20 kN)
Walk-over	Yes	Yes
Drive-over	Yes	Yes
Power	20W	39W
Input power supply	Costant voltage 24V	Costant voltage 24V
Ballast	Remote	Remote
Insulation class	III Class	III Class
Dimmable	Yes (PWM)	Yes (PWM)
Connector type	M12 5 poles IP67	M12 5 poles IP67
Electrical connetion	Parallel	Parallel
Idroskud® protection	Yes	Yes

Photometry



Diffused



MIZAR  
a brand of ReeR spa

Via Carcano, 32  
10153 Turin - Italy

[mizar.it](http://mizar.it)  
[info@mizar.it](mailto:info@mizar.it)